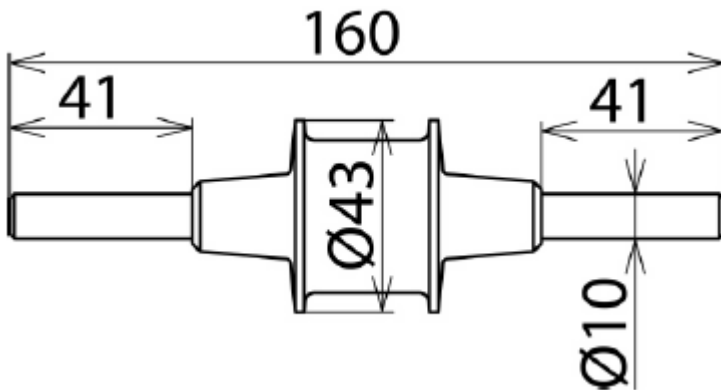


# Isolating Spark Gap

Characteristics	P8770
Application	For lightning equipotential bonding. For indirect connection / earthing of functionally isolated installation parts under lightning conditions.
Impulse sparkover voltage	$\leq 4$ kV
Nominal discharge current (8/20 $\mu$ s)	100 kA
Material (connection)	Stainless steel
Protection class	IP 65
Weight	0.180 kg



Dimensions (mm)



Circuit diagram

