

CABLOFIL®

INNOVATORS IN CABLE MANAGEMENT



FIXING WITHOUT NUTS AND BOLTS



FIXING WITH NUTS AND BOLTS



FAST ASSEMBLING



PATENTED FAST ASSEMBLING SYSTEM



ANCHO



LENGTH



HEIGHT



PRACTICAL SAFETY LOAD IN DAN



PATENTED



PATENTED SAFETY EDGE



A GUARANTEED 1.5/2/6 METRE SPAN WITH A MAXIMUM FILL



WEIGHT



CEI 61537 NORM

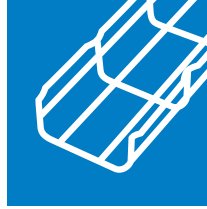
COUPLE



BEST OF

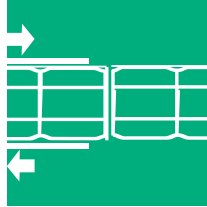
The data contained in this catalogue is given for information only, is in no way contractual, and does not engage the responsibility of the company.

The Range



06

Couplers



10

Wall mounting



15

Ceiling mounting



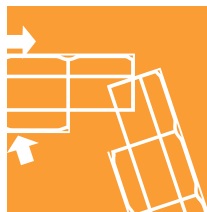
20

Other mountings



23

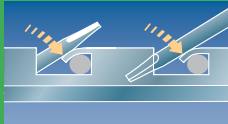
Cable tray installation



29

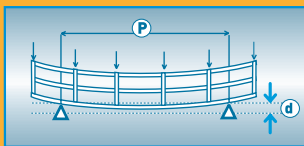


FAST
FAST ASSEMBLING SYSTEM





P1500
P2000



ISO 9001
ISO 14001
BUREAU VERITAS
Certification







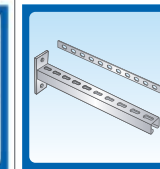






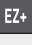


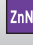











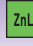













E 90

UL
LISTED

DNV·GL

CE




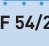
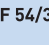
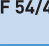
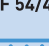

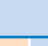
Please consult us for detailed informations

							
EZ ISO 20-81/82 NF/EN 12-329 DIN 50961	Electrozinc 						 
EZ+ ISO 20-81 DIN 50961	Organically coated electrogalvanised after manufacturing 						    
GC NF/EN/ISO 1461 DIN 50976	Hot dip Galvanisation						   
ZnAl EN 10244-2	Zinc-Aluminium coating						   
304L NF 10-088-2	Stainless steel 304L						  
316L NF 10-088-2	Stainless steel 316L						

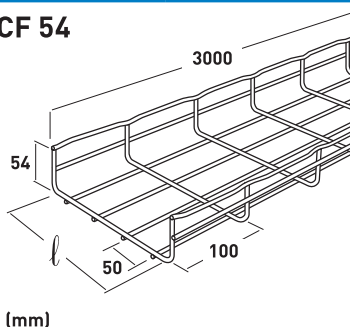
 **Recommended**  **Possible**

CF 54  **54 mm**  **50**  **600 mm**  **3 m**



-  CF 54/50
-  CF 54/100
-  CF 54/150
-  CF 54/200
-  CF 54/300
-  CF 54/400
-  CF 54/450
-  CF 54/500
-  CF 54/600

CF 54



	l mm	KG kg/m	EZ	EZ+	GC	ZnAl	304L	316L
CF 54/50	50	0,61	000 061	000 062	000 063	000 066	000 068	000 064
CF 54/100	100	0,76	000 071	000 072	000 073	000 076	000 078	000 074
CF 54/150	150	1,01	000 081	000 082	000 083	000 086	000 088	000 084
CF 54/200	200	1,32	000 091	000 092	000 093	000 096	000 098	000 094
CF 54/300	300	1,99	000 101	000 102	000 103	000 106	000 108	000 104
CF 54/400	400	2,97	000 201	000 202	000 203	000 206	000 208	000 204
CF 54/450	450	3,17	000 251	000 252	000 253	000 256	-	-
CF 54/500	500	3,37	000 301	000 302	000 303	000 306	000 308	000 304
CF 54/600	600	3,79	000 401	000 402	000 403	000 406	000 408	000 404

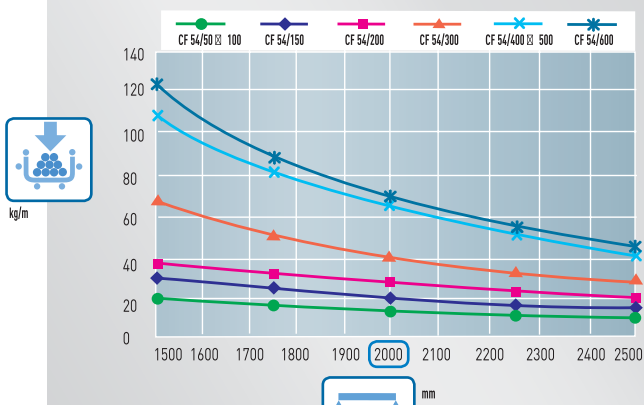


p. 27

EDRN	AUTOCLIC	EDS	ED275	CE25/CE30/BTRCC 6x20	EAC	Z240
✓	✓	✓	✓	✓		

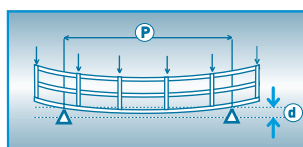
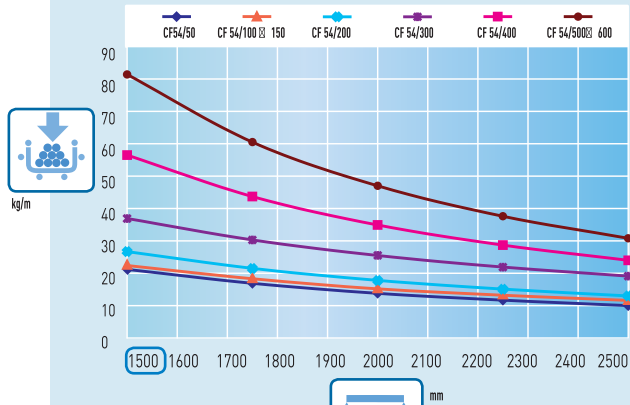
EZ - EZ+ - GC - ZnAl

P2000

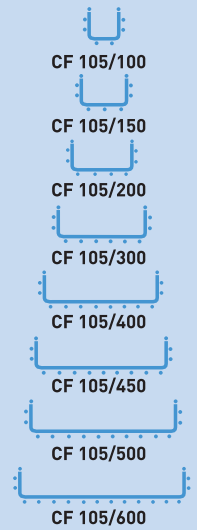
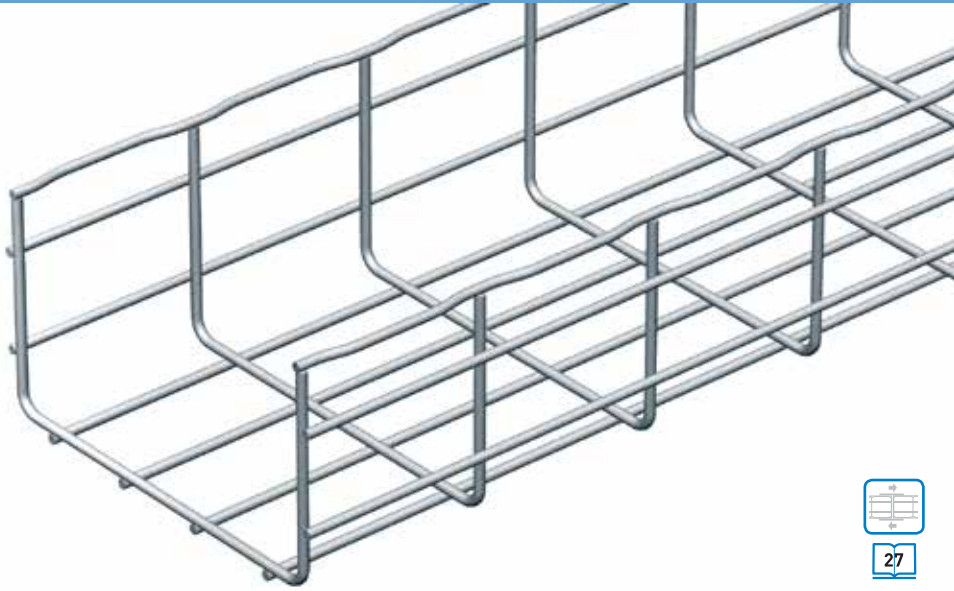


304L - 316L

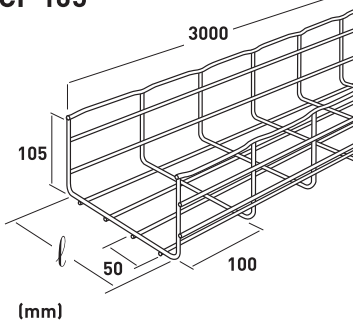
P1500



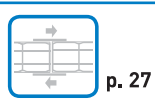
CF 105  105 mm  100  600 mm  3 m



CF 105



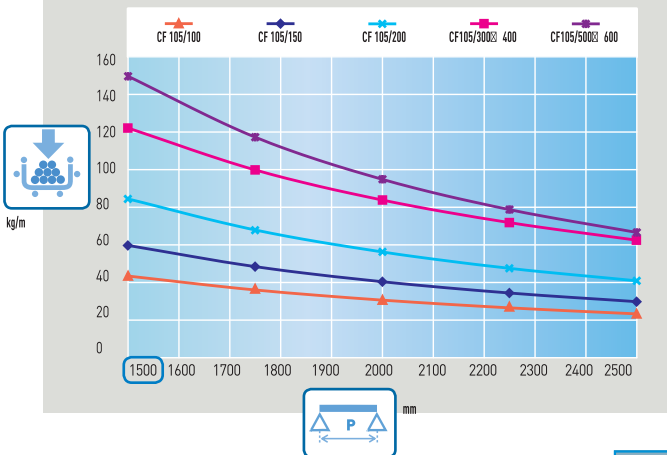
	l mm	$\frac{kg}{m}$	EZ	GC	ZnAl	304L	316L
CF 105/100	100	1,32	000 891	000 893	000 896	000 898	000 894
CF 105/150	150	1,69	000 901	000 903	000 906	000 908	000 904
CF 105/200	200	1,99	000 911	000 913	000 916	000 918	000 914
CF 105/300	300	2,96	000 921	000 923	000 926	000 928	000 924
CF 105/400	400	3,37	000 931	000 933	000 936	000 938	000 934
CF 105/450	450	3,60	001 931	-	001 936	-	-
CF 105/500	500	3,78	000 941	000 943	000 946	000 948	000 944
CF 105/600	600	4,19	001 031	001 033	001 036	001 038	001 034



EDRN	AUTOCLIC	EDS	ED275	CE25/CE30/BTRCC 6x20	EAC	Z240
✓	✓	✓	✓	✓		

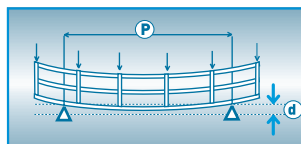
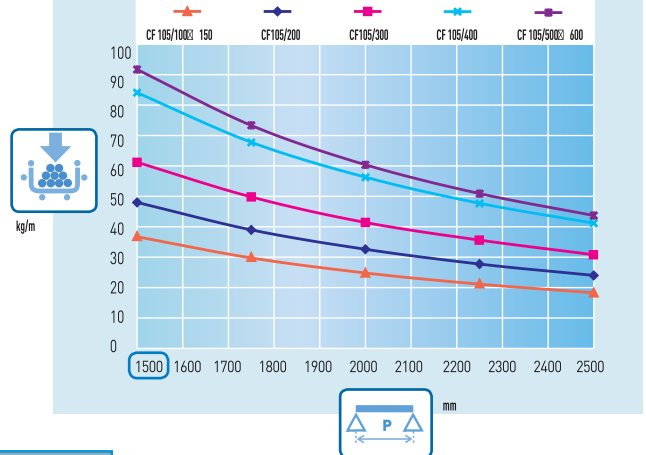
PG - EZ - GC - ZnAl

P1500

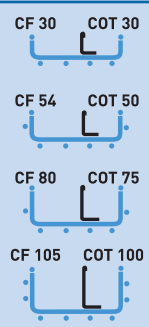
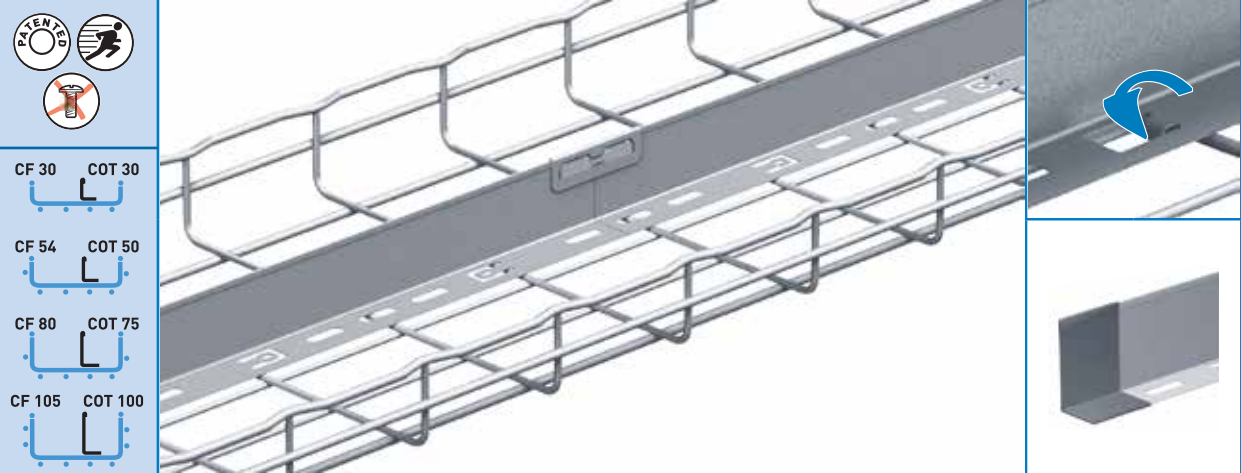


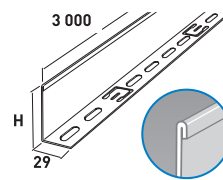




304L - 316L



P1500

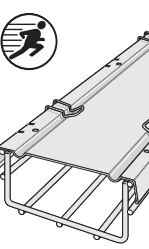
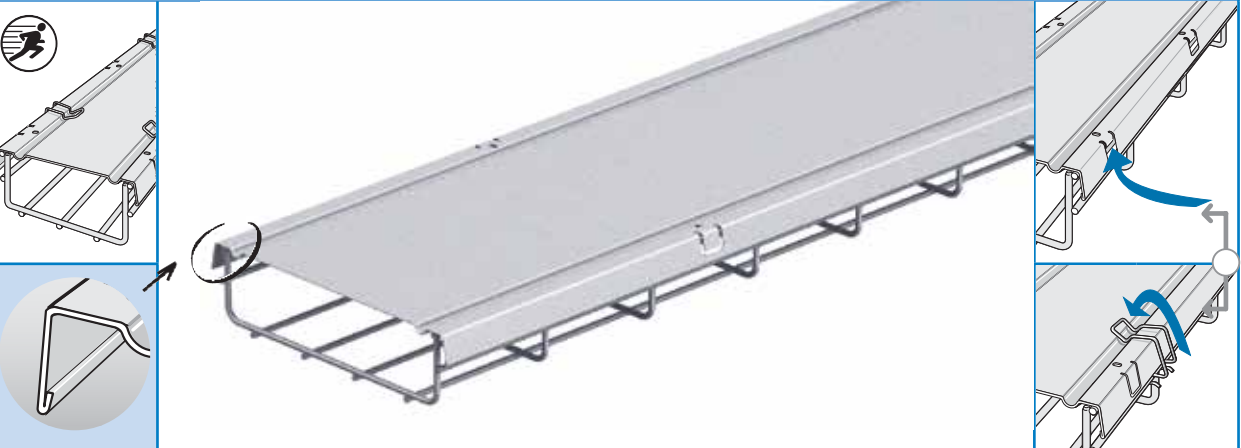


COT  **CF30 - CF54 - CF80 - CF105**  **100**  **600 mm**  **3 m**



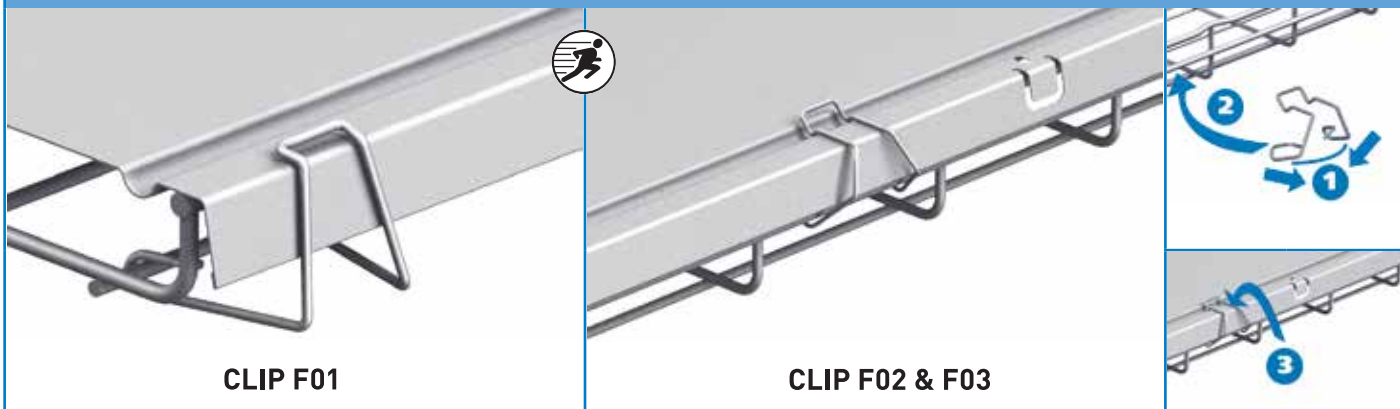
COT		H mm	kg/m	GS	ZnMg	304L	316L
COT 30		24	0,3	923 010	923 013	-	923 014
COT 50		48	0,5	923 020	923 023	923 028	923 024
COT 75		72	0,7	923 030	923 033	-	-
COT 100		96	0,9	923 040	923 043	923 048	923 044
COT J		-	-	923 050	-	-	923 054
EPDCOT50		-	-	559 635	-	-	-
EPLCOT50		-	-	559 655	-	-	-
EPGCOT50		-	-	559 645	-	-	-








CP-CVN  **CF30 - CF54 - CF105**  **50**  **600 mm**

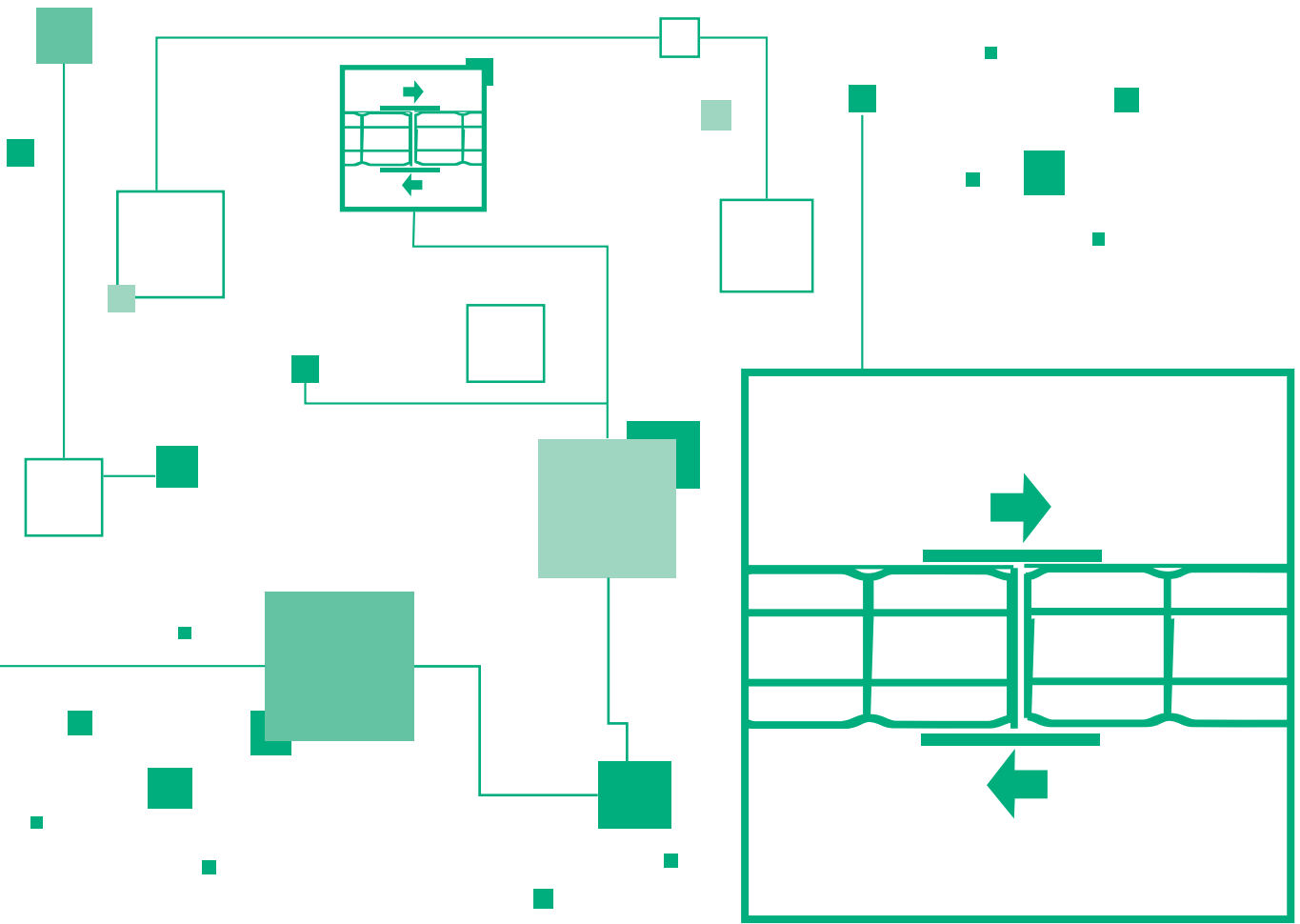


CP - CVN	CP 1x2m	l mm	L mm	kg/m	GS	GC	ZnMg	304L	316L
CP 50		71	2000	0,4	646 010	646 013	350 664	646 018	646 014
CP 100		121	2000	0,7	646 020	646 023	350 665	646 028	646 024
CP 150		171	2000	1,1	646 030	646 033	350 666	-	646 034
CP 200		221	2000	1,4	646 040	646 043	350 667	-	646 044
CP 300		322	2000	2,0	646 050	646 053	350 668	-	646 054
CP 400		425	2000	3,5	646 060	646 063	350 669	-	646 064
CP 450		475	2000	3,4	646 090	646 093	350 670	-	-
CP 500		525	2000	4,3	646 070	646 073	350 671	-	646 074
CP 600		625	2000	5,0	646 080	646 083	350 672	-	646 084
CVN 50		71	1000	0,4	629 050	629 053	-	629 058	629 054
CVN 100		121	1000	0,7	629 100	629 103	-	629 108	629 104
CVN 150		171	1000	1,1	629 150	629 153	-	-	629 154
CVN 200		221	1000	1,4	629 200	629 203	-	-	629 204
CVN 300		322	1000	2,0	629 300	629 303	-	-	-
CVN 400		425	1000	3,5	629 400	629 403	-	-	-
CVN 450		475	1000	3,4	629 450	629 453	-	-	-
CVN 500		525	1000	4,3	629 500	629 503	-	-	-
CVN 600		625	1000	5,0	629 600	629 603	-	-	-

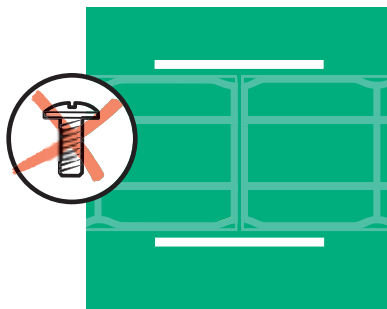
CLIP F  **CF30 - CF54 - CF80 - CF105 - CF150**  **50**  **600 mm**



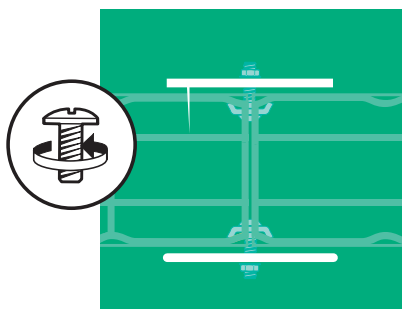
CLIP F01			GS	GC	304L	INOX
  CF 30	CLIP F01	25	646 220	-	-	646 224
CLIP F02						
  CF 54 CF 105 CF 150	CLIP F02	25	646 200	-	-	646 204
CLIP F03						
  CF 80	CLIP F03	25	646 210	-	-	-



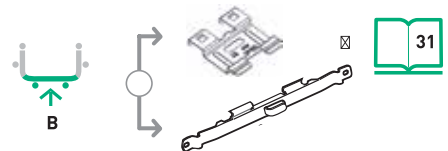
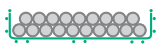
FAST COUPLERS



BOLTED COUPLERS

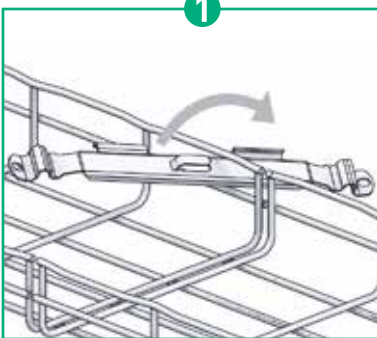


EDRN CF30 - CF54 - CF80 - CF105 - CF150 50 → 600 mm

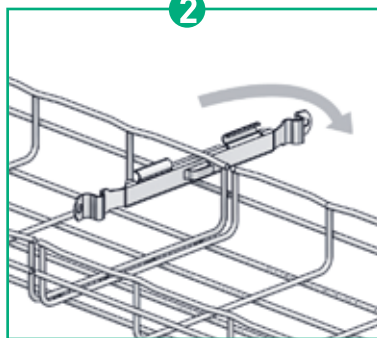


mm	50		100		150		200		300		400 x 500		600	
	A	B	A	B	A	B	A	B	A	B	A	B	A	B
CF30	2	0	2	0	2	0	2	1	2	1	2	2	2	3
CF54	2	0	2	0	2	0	2	0	2	1	2	2	2	3
CF80			2	1			2	2	2	2	2	3	2	3
CF105			2	1	2	1	2	2	2	3	2	3	2	3
CF150							2	2	2	3	2	3	2	3
HDF 105			2	1	2	1	2	2	2	3	2	3	2	3
CFG			2	1	2	1	2	1						

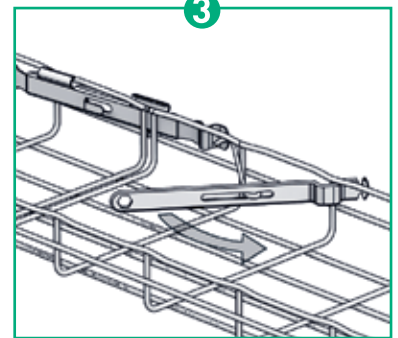
1



2



3

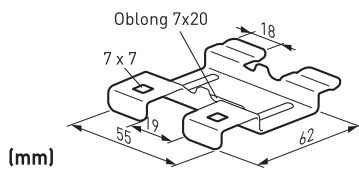


EDRN	EDRN	CLEDR		EZ	EZ+	ZnL	ZnNi	304L	INOX
	50	1		558 241	558 242	558 247	558 246	-	558 244
				558 260	-	-	-	-	-

CEFAS  CF30 - CF54 - CF80 - CF105 - CF150  100 → 600 mm



CEFAS



CEFAS



50

GS

558 410

ZnL

558 417

304L

-

316L

558 414

FASLOCK AUTO  CF30 - CF54 - CF105  100 → 600 mm



FASLOCK S  100  200 mm
FASLOCK XL  300  600 mm



FASLOCK S
FASLOCK XL



25

25

GS

558 340

558 320

ZnL

558 347

558 327

ZnNi

558 346

558 326

304L

-

-

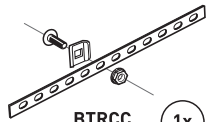
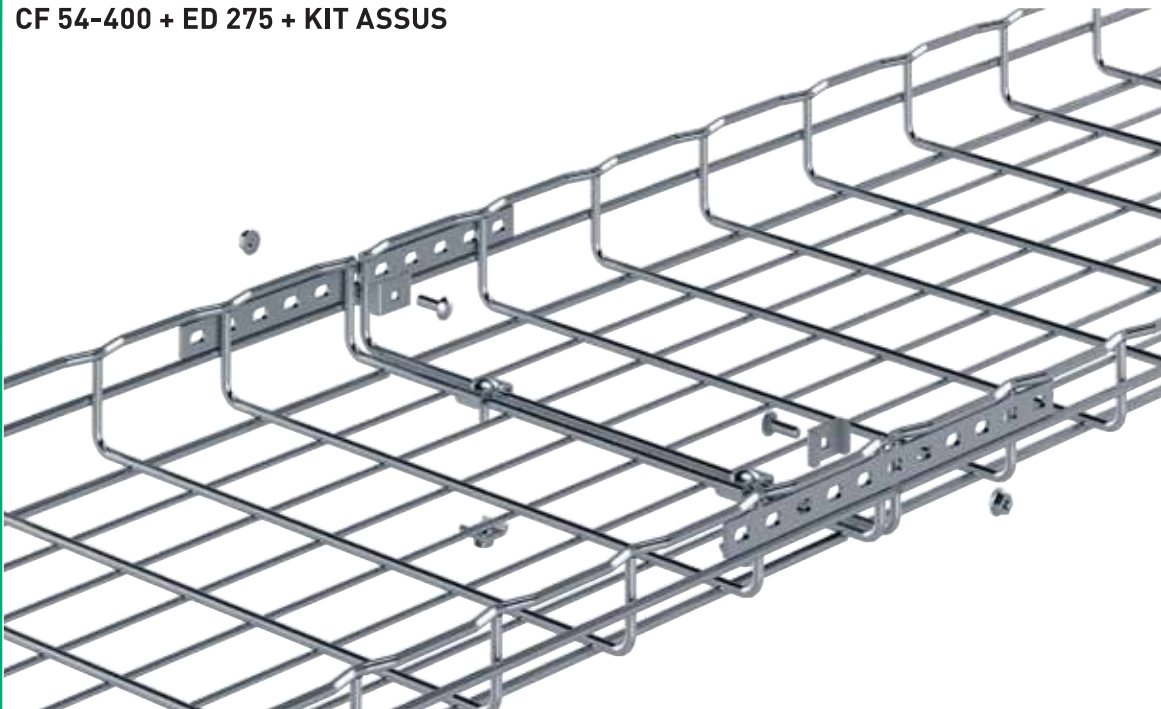
316L

558 344

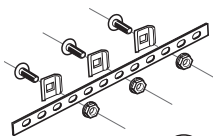
558 324


ED 275 CF54 - CF105 - CF150 - HDF 105 50 → 600 mm

CF 54-400 + ED 275 + KIT ASSUS






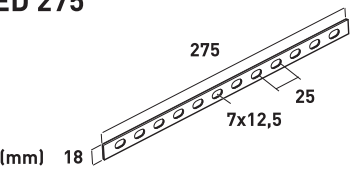
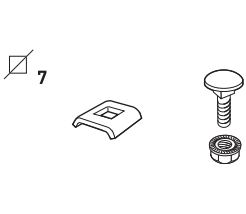

- BTRCC (1x)
- CE 25 (1x)
- ED 275 (1x)

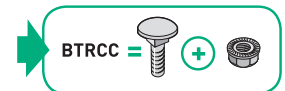


- BTRCC (3x)
- CE 25 (3x)
-  109 ED 275 (3x)

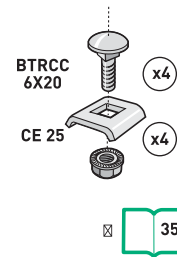
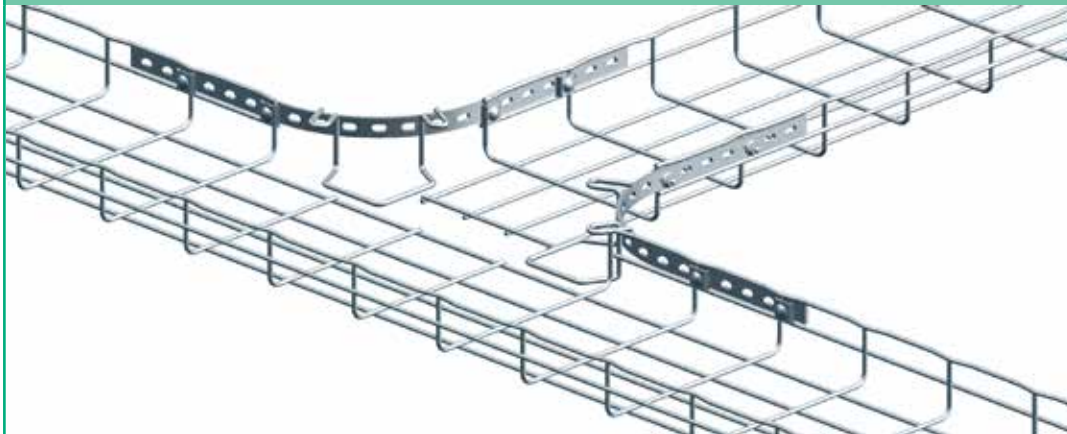


 mm	50		100		150		200		300		400  500		600	
	A	B	A	B	A	B	A	B	A	B	A	B	A	B
CF54	2	0	2	0	2	0	2	0	2	1	2	2	2	3
CF105			2	1	2	1	2	1	2	2	2	3	2	3
CF150							2	2	2	2	2	3	2	3
HDF105	2	1	2	1	2	1	2	1	2	2	2	3	2	3
CFG			2	1	2	1	2	1						

ED 275	ED 275		EZ	GC	304L	316L
	ED 275	50	558 221	558 223	558 228	558 224
CE 25 - BTRCC 	CE 25	50	558 011	ZnL 558 013	ZnMg 350 569	558 018 558 014
	BTRCC 6X20	100	801 011	801 017	ZnNi 350 402	801 018 801 014
	KITFIXTR = CE25+BTRCC 6X20	50	558 091	558 097	ZnMg 350 426	- -
CE 25 ES 	CE 25 ES	50	558 021	558 027	ZnNi 350 571	- -
	EEC 6	100	801 201	-	ZnNi 350 405	- 801 204
	KITFIXVS = CE25+EEC 6	50	558 061	558 067	ZnMg 350 428	- -

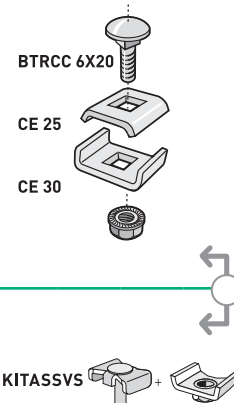
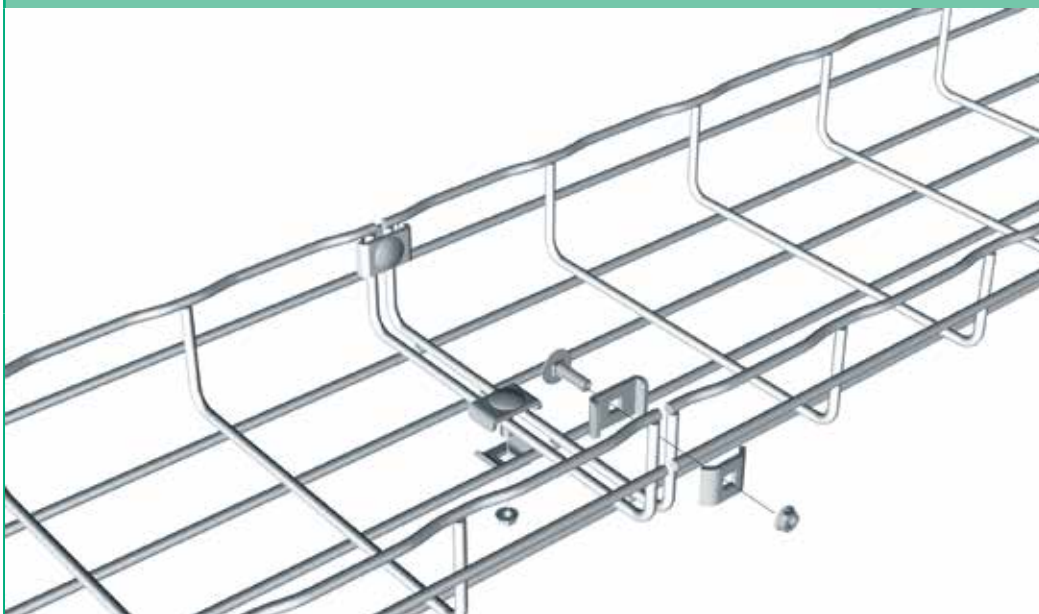


PA CF30 - CF54 - CF105 100 600 mm

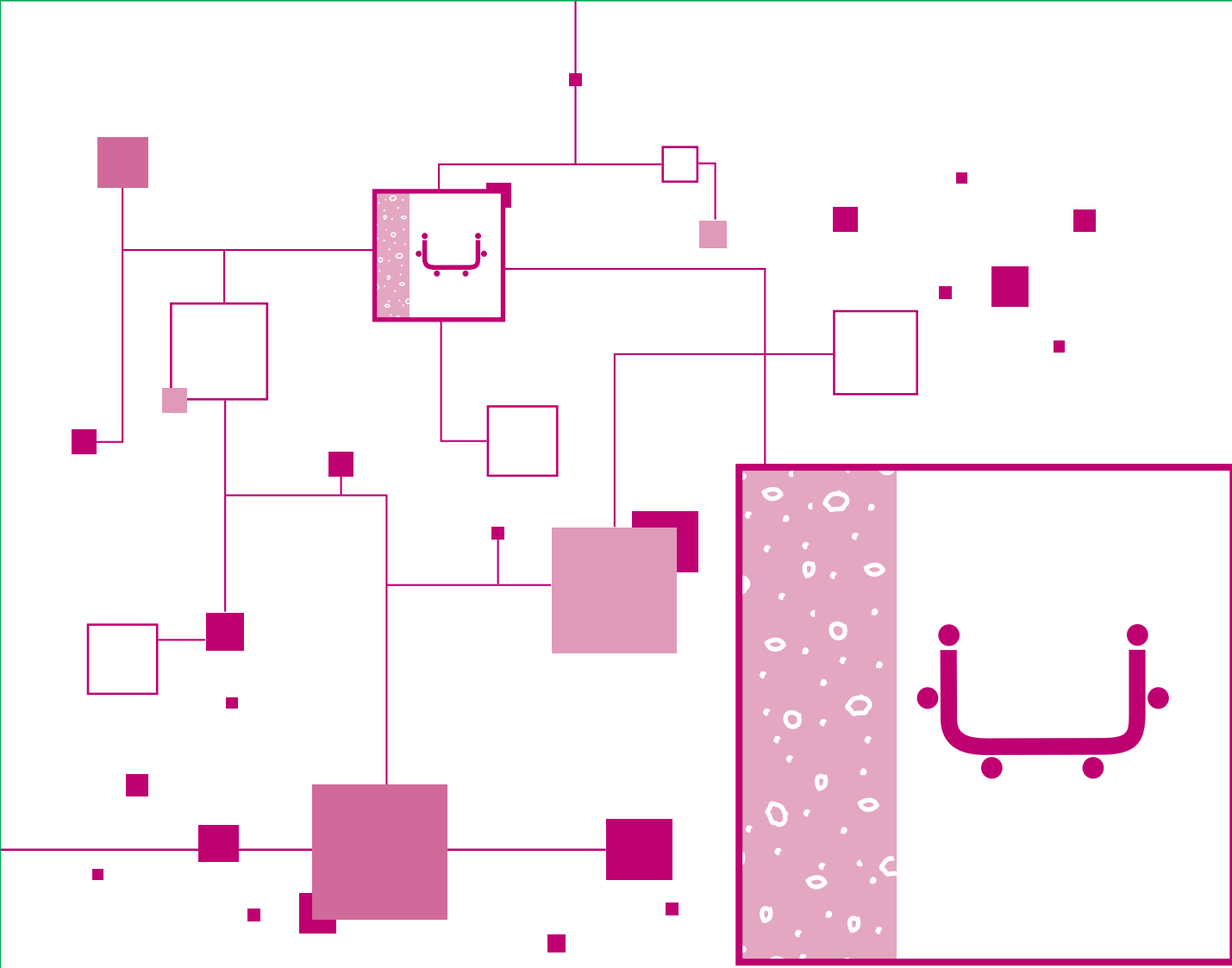


PA 	PA 1 PA 2 PA 3	H mm	daN	EZ	GC	304L	316L						
								30	-	840 101	840 103	-	-
								54	-	840 111	840 113	-	-
								105	-	840 131	840 133	-	-
RAD T 	RAD T KIT 6	150	-	942 942	943 160	-	-						

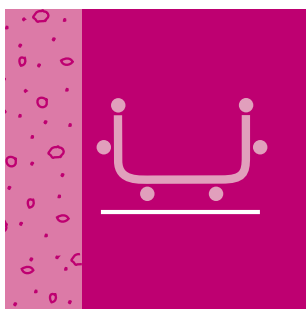
CE 25 - CE 30 CF30 - CF54 - CF80 - CF105 - CF150 50 600 mm



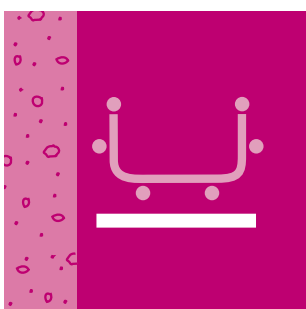
 mm																
	50		100		150		200		300		400 450		500		600	
	A	B	A	B	A	B	A	B	A	B	A	B	A	B	A	B
CF30 - CF54	2	0	2	1	2	1	2	1	2	2	2	2	2	2	2	3
CF80			2	1			2	1	2	2	2	2	2	3	2	3
CF105			2	1	2	1	2	1	2	2	2	3	2	3	2	3
CF150							2	2	2	2	2	3	2	3	2	3
HDF105			2	1	2	1	2	1	2	2	2	3	2	3	2	3
CFG - CFC			2	1	2	1	2	1								



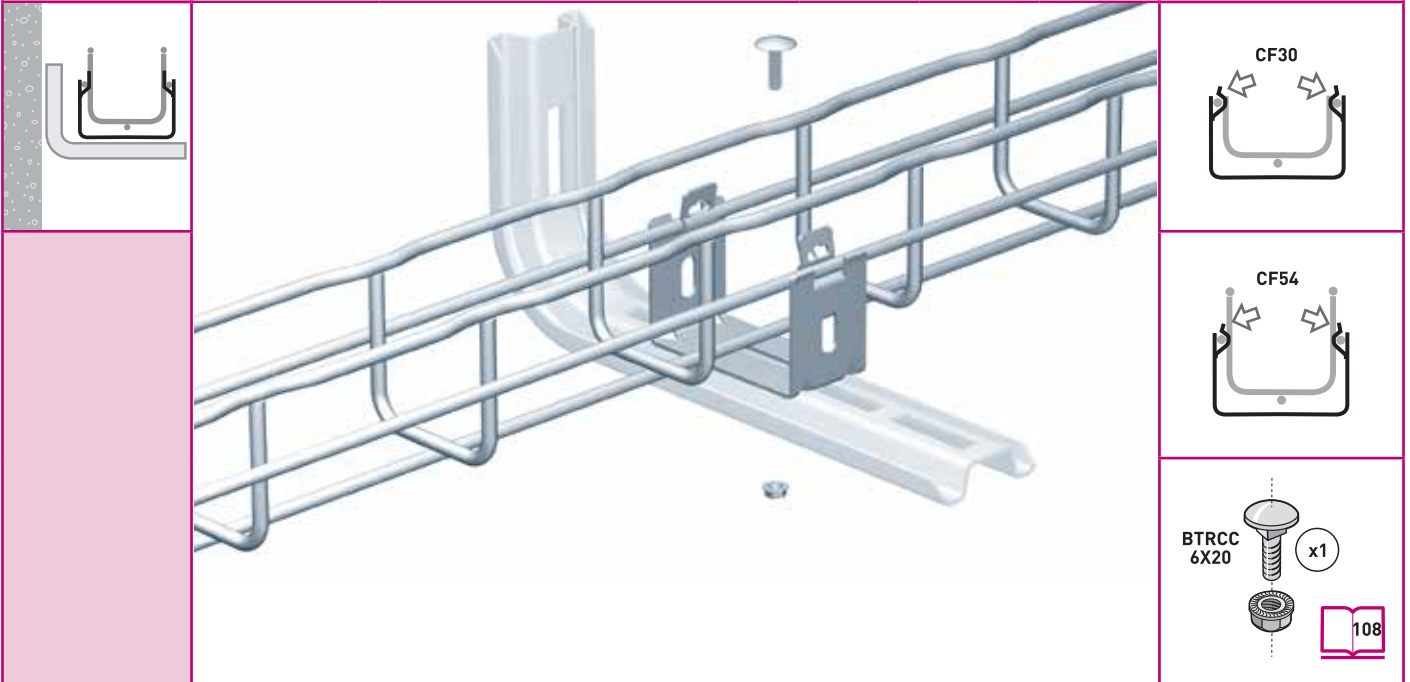
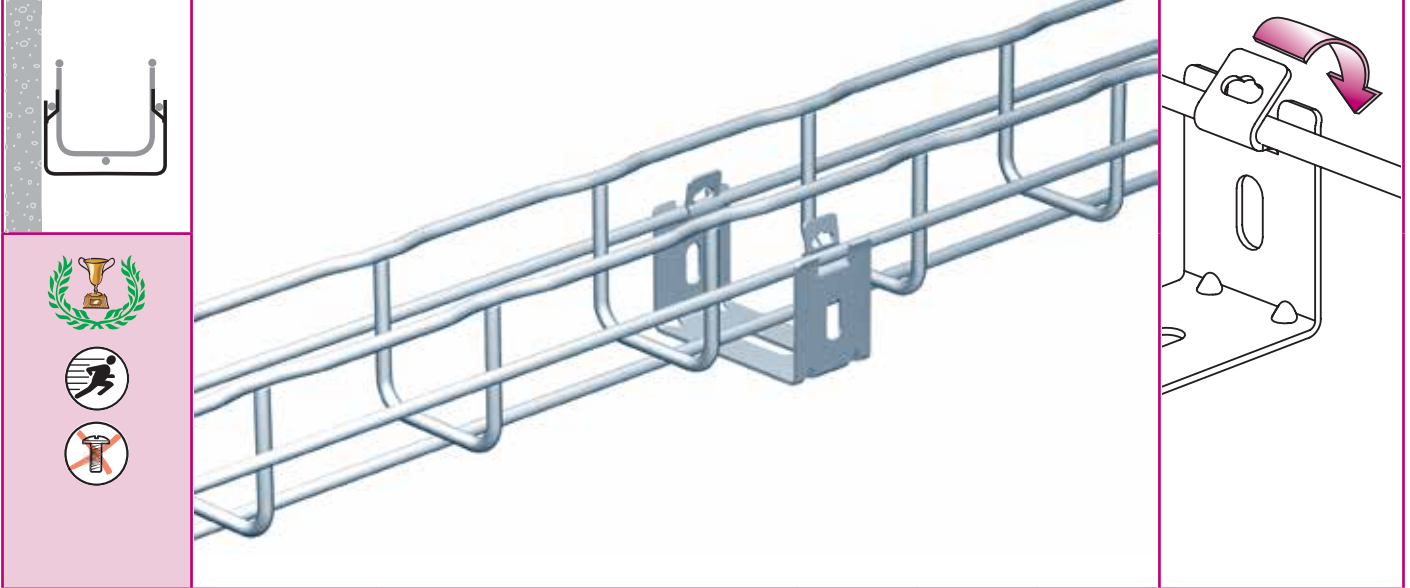
LIGHT DUTY



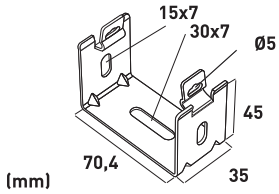
MEDIUM CITY



UC 50  CF30 - CF54  50 mm



UC 50



UC 50


daN

12

GS

586 040

GC

586 043

304L

586 048

316L

586 044

BTRCC
6x20



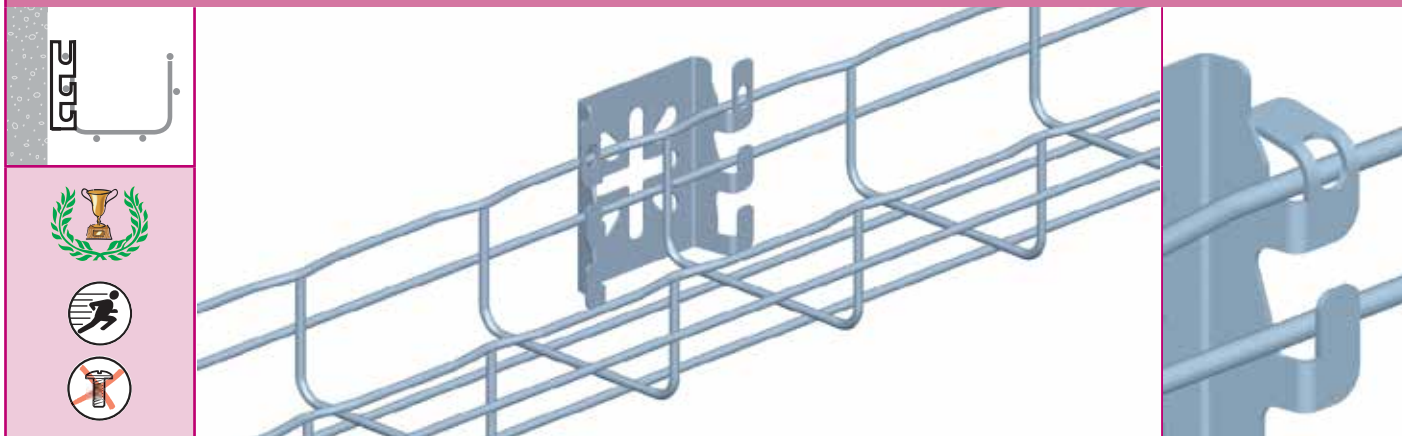
108

CM 50  **CF54**  **50 mm**



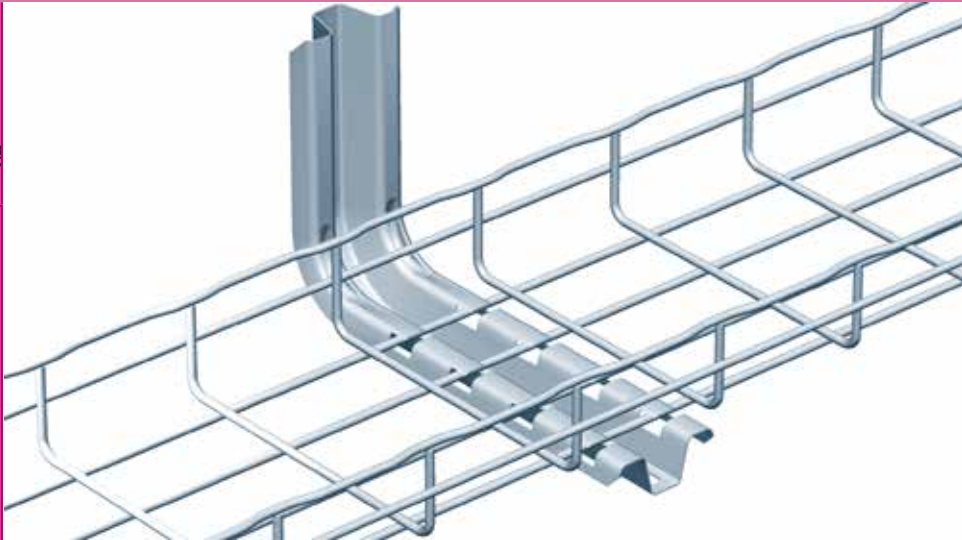
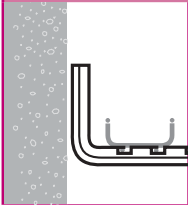
<p>CM 50</p>  <p>(mm)</p>	<p>CM 50</p>	<p> daN</p> <p>12</p>	<p>GS</p> <p>586 060</p>	<p>ZnMg</p> <p>586 063</p>	<p>304L</p> <p>586 068</p>	<p>316L</p> <p>586 064</p>

CM 50XL  **CF54 - CF80**  **50 100 mm**



<p>CM 50XL</p>  <p>(mm)</p>	<p>CM 50XL</p>	<p> daN</p> <p>9</p>	<p>GS</p> <p>586 130</p>	<p>ZnMg</p> <p>586 133</p>	<p>304L</p> <p>586 138</p>	<p>316L</p> <p>586 134</p>

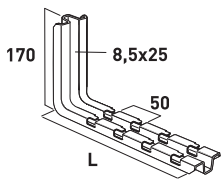
CSN \updownarrow CF30 - CF54 \leftrightarrow 100 \rightarrow 450 mm



FAS
FAST ASSEMBLING SYSTEM



CSN



(mm)

EPVCSN

CSN 100
CSN 150
CSN 200
CSN 300
CSN 400
CSN 450

EPVCSN

L_1
mm

$\downarrow F$
daN

GS

GC

304L

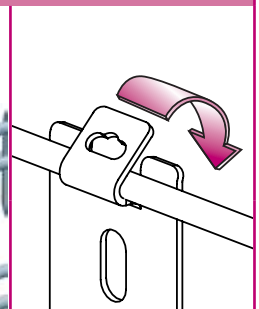
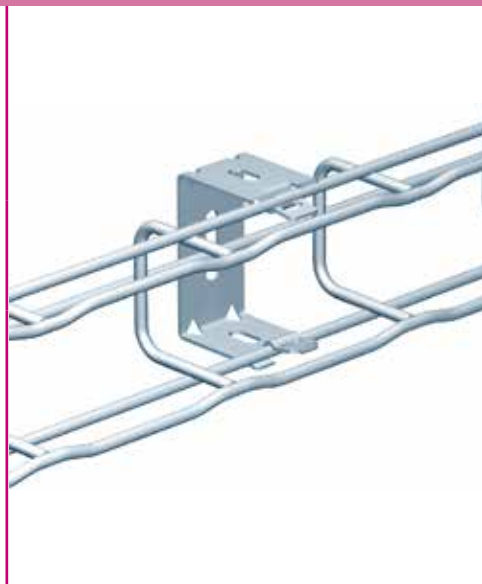
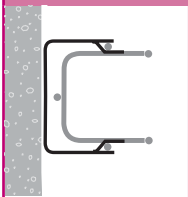
316L

556 100	556 103	556 108	556 104
556 110	556 113	556 118	556 114
556 120	556 123	556 128	556 124
556 130	556 133	556 138	556 134
556 140	556 143	-	-
556 150	556 153	-	-

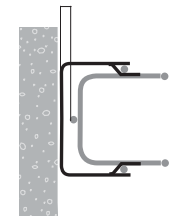
PVC

559 605	-	-	-
---------	---	---	---

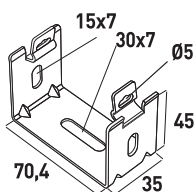
UC 50 \updownarrow CF30 - CF54 \leftrightarrow 50 mm



5 mm



UC 50



(mm)

UC 50

$\downarrow F$
daN

GS

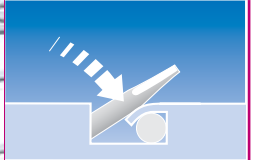
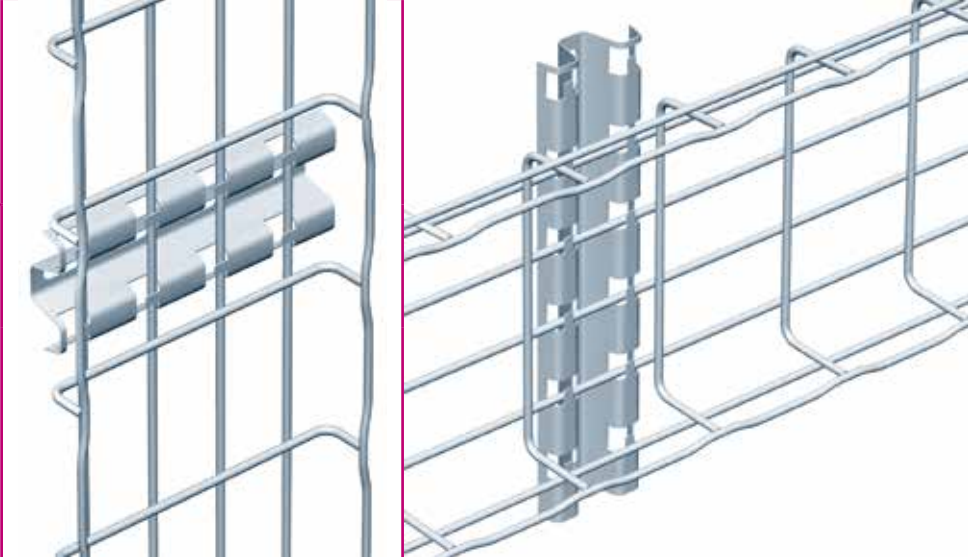
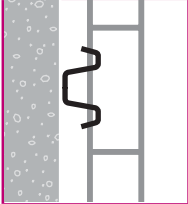
GC

304L

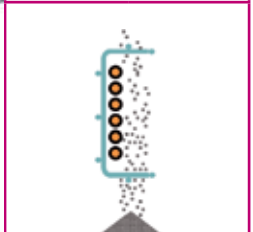
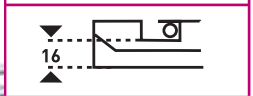
316L

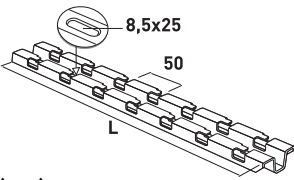
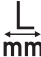

586 040	586 043	586 048	586 044
---------	---------	---------	---------

RCSN  **100 → 600 mm**

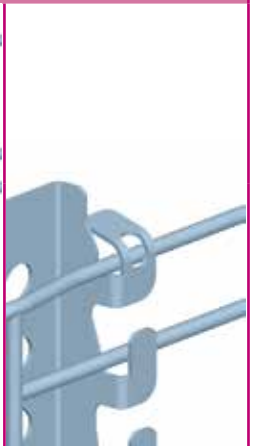
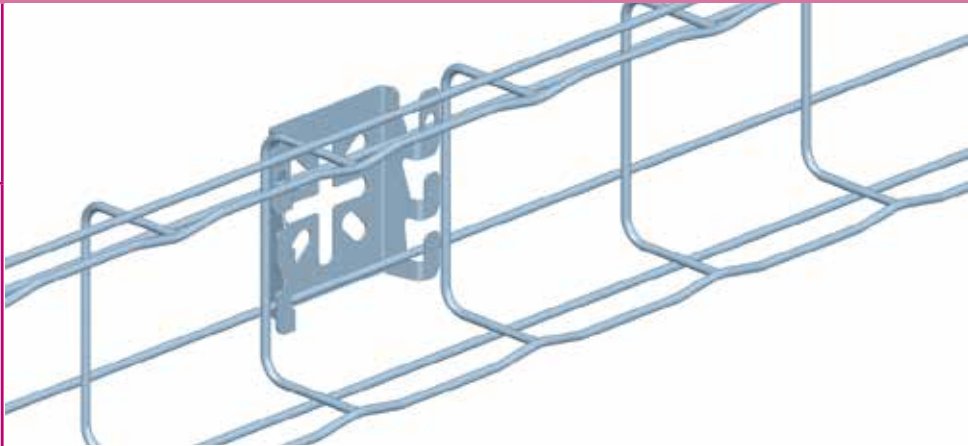
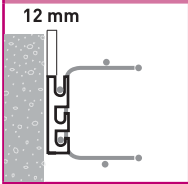


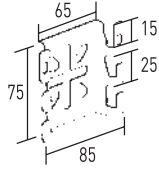

FAS LOT
FAST ASSEMBLING SYSTEM

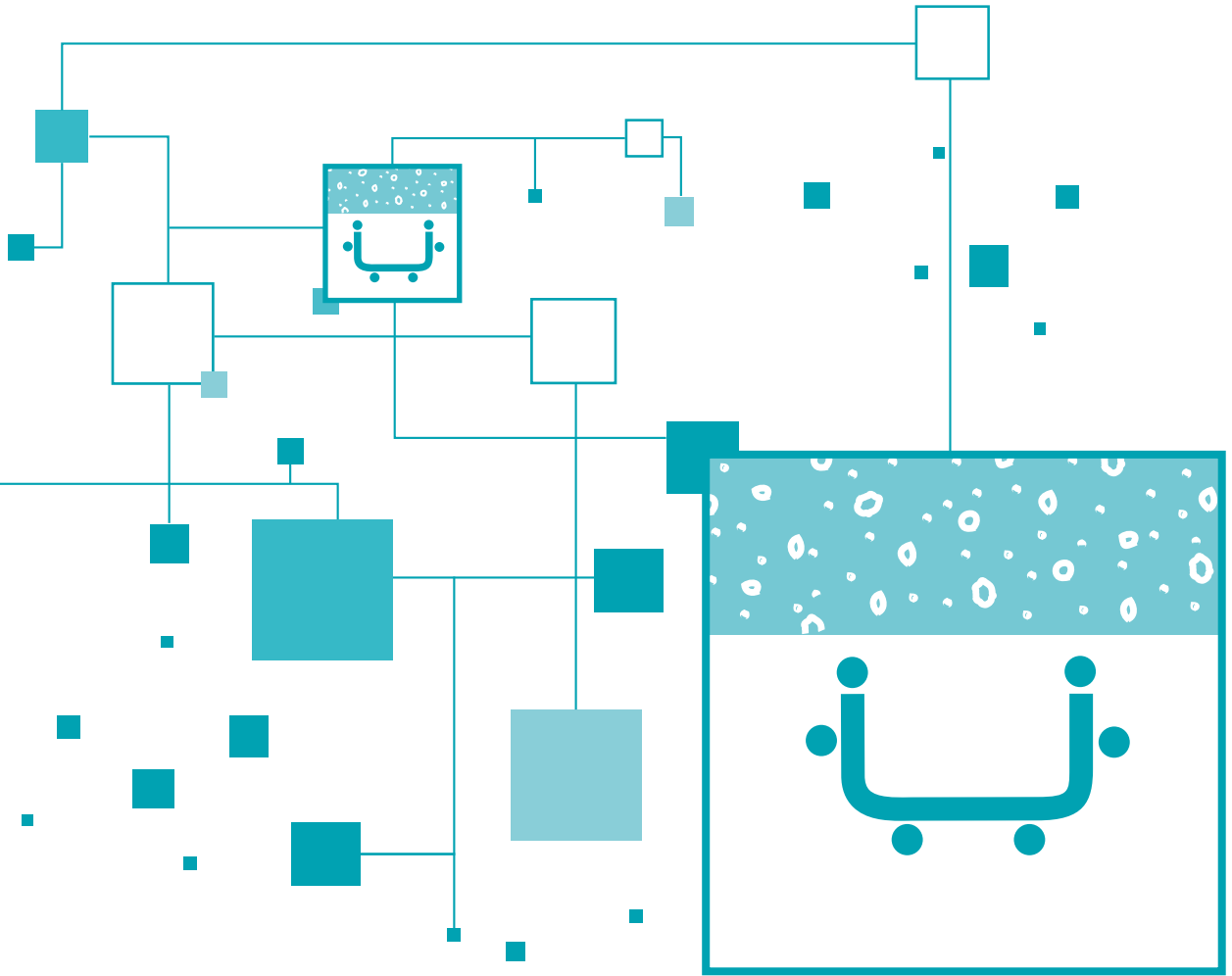


RCSN  (mm)	RCSN 3000	 mm	 daN	GS	GC	304L	316L
		3000	100	013 030	013 033	013 038	013 034

CM 50XL  **100 → 600 mm**



CM 50XL  (mm)	CM 50XL	 daN	GS	ZnMg	304L	316L
		60	586 130	586 133	586 138	586 134



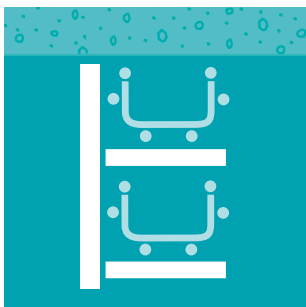
CENTRAL HANGERS



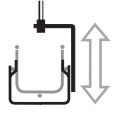









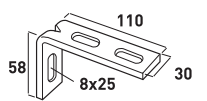


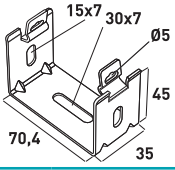
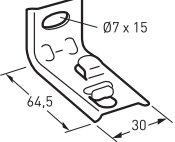
TRAPEZE











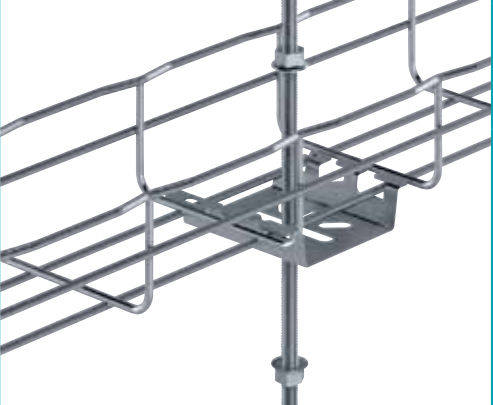



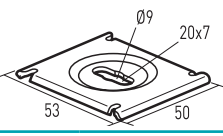


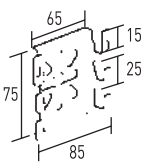
HEAVY DUTY PENDANTS




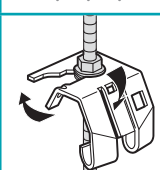




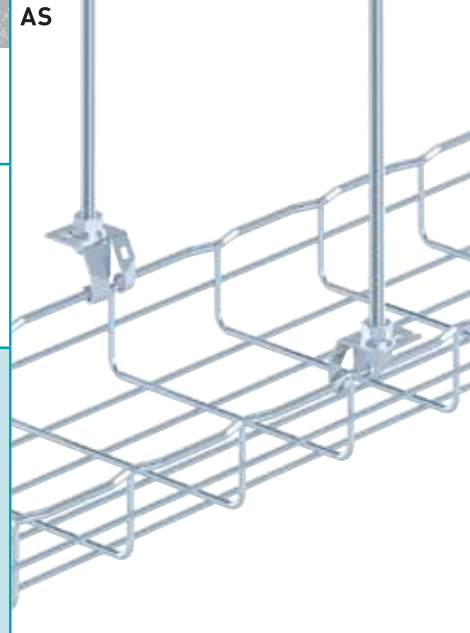

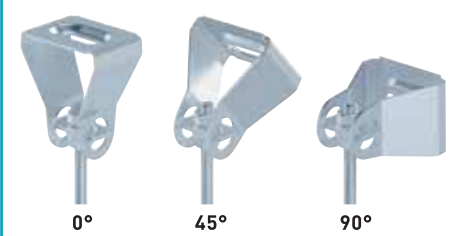
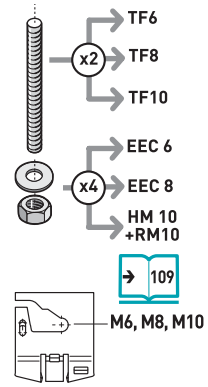
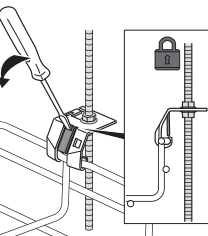
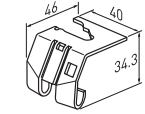


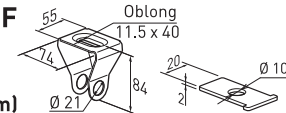
UC 50 CF30 - CF54 50 mm

			<p>TF 6  (x1)</p> <p>EEC 6  (x2)</p>			
			<p>BTRCC 6X20  (x1)</p> <p> 108</p>			
<p>CEQ</p>  <p>110 58 8x25 30</p>	<p>CEQ 100</p>	<p> 1</p> <p> 12</p>	<p>GS 557 300</p>	<p>GC 557 303</p>	<p>304L -</p>	<p>316L 557 304</p>
<p>UC 50</p>  <p>15x7 30x7 05 45 70,4 35</p> <p>(mm)</p>	<p>UC 50</p>	<p>1</p> <p>12</p>	<p>586 040</p>	<p>586 043</p>	<p>586 048</p>	<p>586 044</p>
<p>MCO</p>  <p>07 x 15 64,5 30</p>	<p>MCO</p>	<p>50</p> <p>20</p>	<p>348 517</p>	<p>ZnMg 348 533</p>	<p>348 518</p>	<p>-</p>

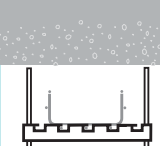
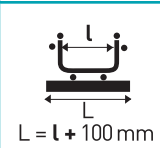


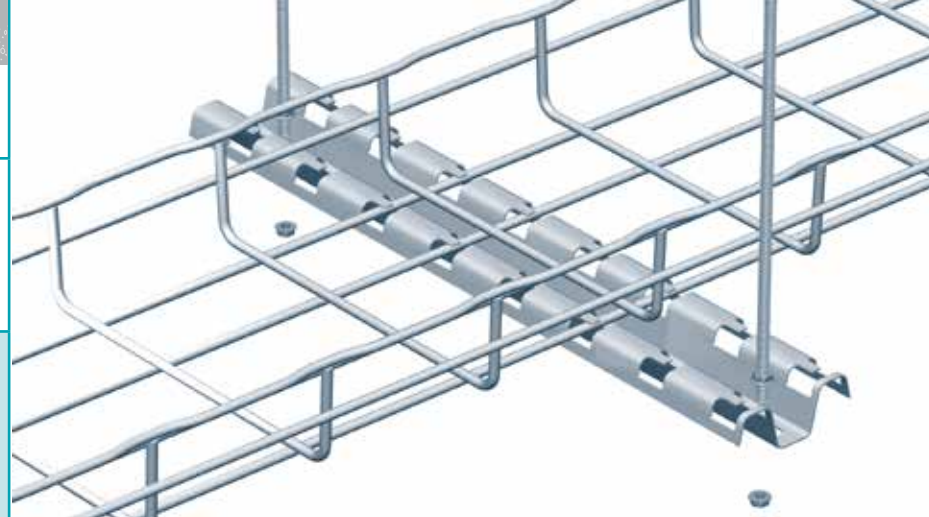
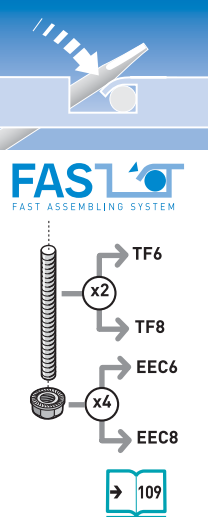
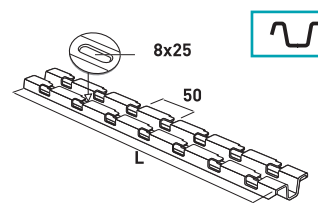



CE 40 - CM50XL CF30 - CF54 100 → 200 mm

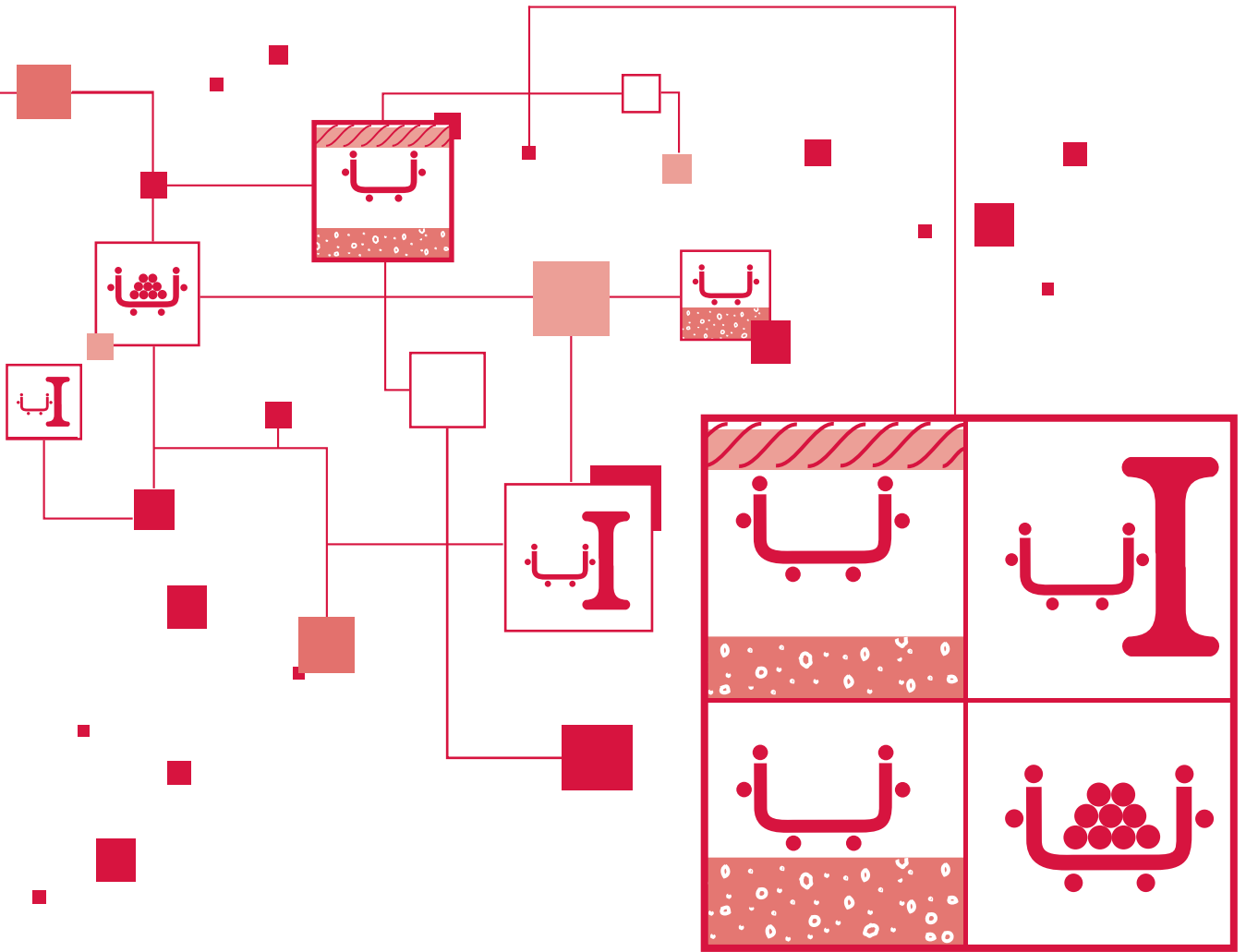
			<p>CE 40</p> <p>TF 6  (x1)</p> <p>CE40  (x2)</p> <p>EEC 6  (x2)</p>				
			<p>CM50XL</p> <p>TF 6  (x1)</p> <p>EEC 6  (x2)</p> <p> 109</p>				
<p>CE 40</p>  <p>09 20x7 53 50</p> <p>(mm)</p>	<p>CE 40</p>	<p> 25</p> <p> 100</p>	<p>EZ 558 051</p>	<p>ZnL 558 053</p>	<p>ZnMg 558 056</p>	<p>304L 558 058</p>	<p>316L 558 054</p>
<p>CM50XL</p>  <p>65 15 25 75 85</p> <p>(mm)</p>	<p>CM50XL</p>	<p>-</p> <p>15</p>	<p>GS 586 130</p>	<p>586 133</p>	<p>586 138</p>	<p>586 134</p>	

AS - STF CF30 - CF54 - CF80 - CF105 100 → 600 mm

     		 	 											
AS  (mm)	AS	 50	 daN 100	<table border="1"> <tr> <td style="background-color: #cccccc;">GS</td> <td style="background-color: #90ee90;">ZnL</td> <td style="background-color: #9932cc;">ZnNi</td> <td style="background-color: #ffa500;">304L</td> <td style="background-color: #6495ed;">316L</td> </tr> <tr> <td style="text-align: center;">350 581</td> <td style="text-align: center;">-</td> <td style="text-align: center;">350 582</td> <td style="text-align: center;">-</td> <td style="text-align: center;">350 583</td> </tr> </table>	GS	ZnL	ZnNi	304L	316L	350 581	-	350 582	-	350 583
GS	ZnL	ZnNi	304L	316L										
350 581	-	350 582	-	350 583										
STF  (mm)	STF	10	150 (0° → 45°) 100 (45° → 90°)	<table border="1"> <tr> <td style="background-color: #cccccc;">GS</td> <td style="background-color: #90ee90;">ZnL</td> <td style="background-color: #9932cc;">ZnNi</td> <td style="background-color: #ffa500;">304L</td> <td style="background-color: #6495ed;">316L</td> </tr> <tr> <td style="text-align: center;">350 578</td> <td style="text-align: center;">-</td> <td style="text-align: center;">-</td> <td style="text-align: center;">-</td> <td style="text-align: center;">-</td> </tr> </table>	GS	ZnL	ZnNi	304L	316L	350 578	-	-	-	-
GS	ZnL	ZnNi	304L	316L										
350 578	-	-	-	-										

RCSN CF30 - CF54 - CF80 - CF105 100 → 600 mm

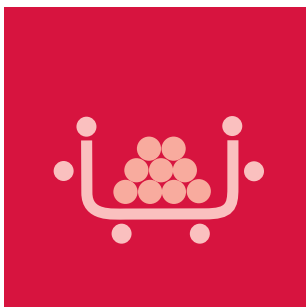
  $L = l + 100 \text{ mm}$  													
RCSN  (mm)	RCSN 3000	 3000	 L mm	 daN 100	<table border="1"> <tr> <td style="background-color: #cccccc;">GS</td> <td style="background-color: #90ee90;">GC</td> <td style="background-color: #ffa500;">304L</td> <td style="background-color: #6495ed;">316L</td> </tr> <tr> <td style="text-align: center;">013030</td> <td style="text-align: center;">013033</td> <td style="text-align: center;">013038</td> <td style="text-align: center;">013034</td> </tr> </table>	GS	GC	304L	316L	013030	013033	013038	013034
GS	GC	304L	316L										
013030	013033	013038	013034										



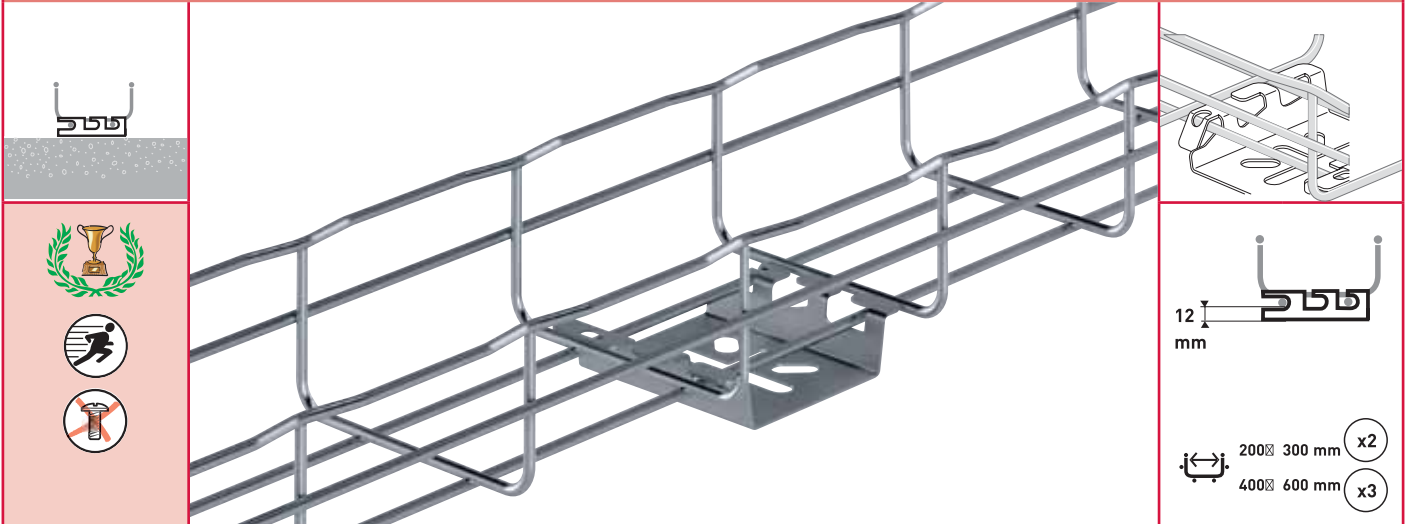
FLOOR MOUNTING



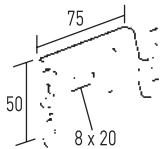
SUPPORT FOR SPECIAL PARTS AND DATA ACCESSORIES



CM 50XL  **CF30 → CF150**  **100 → 600 mm**



CM 50XL



(mm)

CM 50XL

 **daN**
100

GS

586 130

ZnMg

586 133

304L

586 138

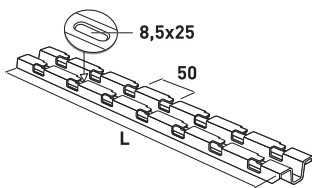
316L

586 134

RCSN  **CF30 → CF150**  **100 → 600 mm**



RCSN



(mm)

RCSN 3000

 **mm**

3000

 **daN**

100

GS

013 030

GC

013 033

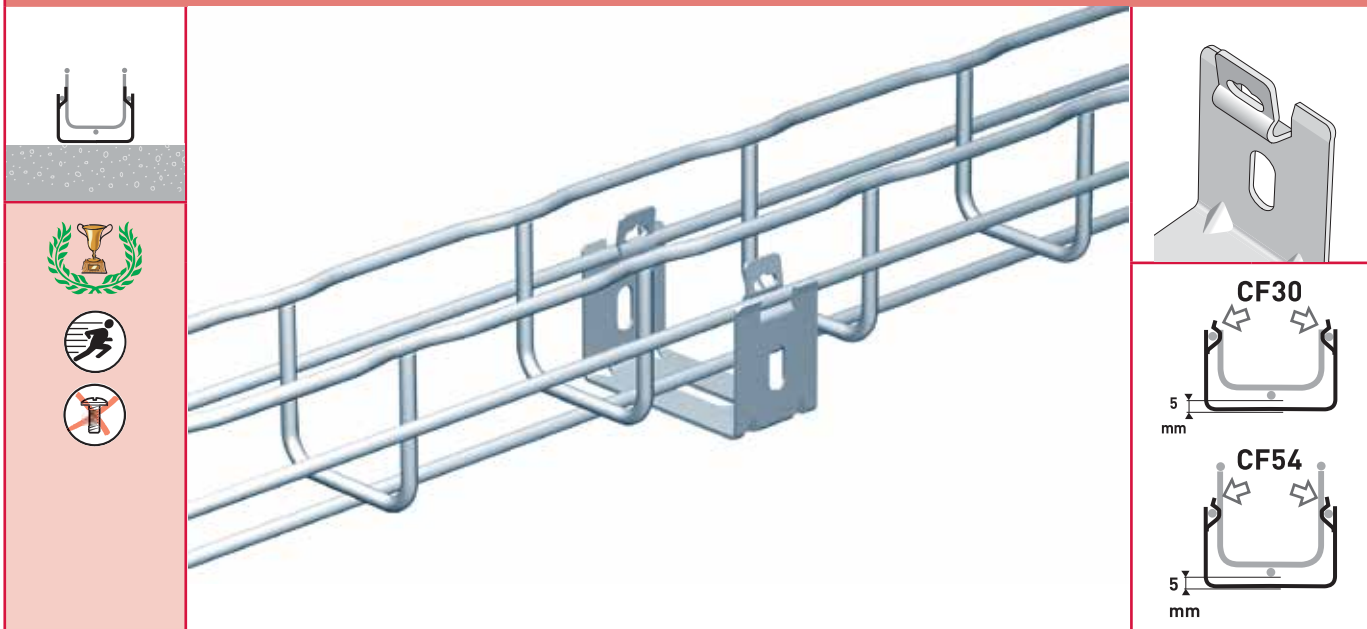
304L

013 038

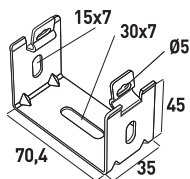
316L

013 034

UC 50  **CF30 → CF54 - TXF35**  **50 mm**



UC 50



(mm)

UC 50


12

GS

586 040

GC

586 043

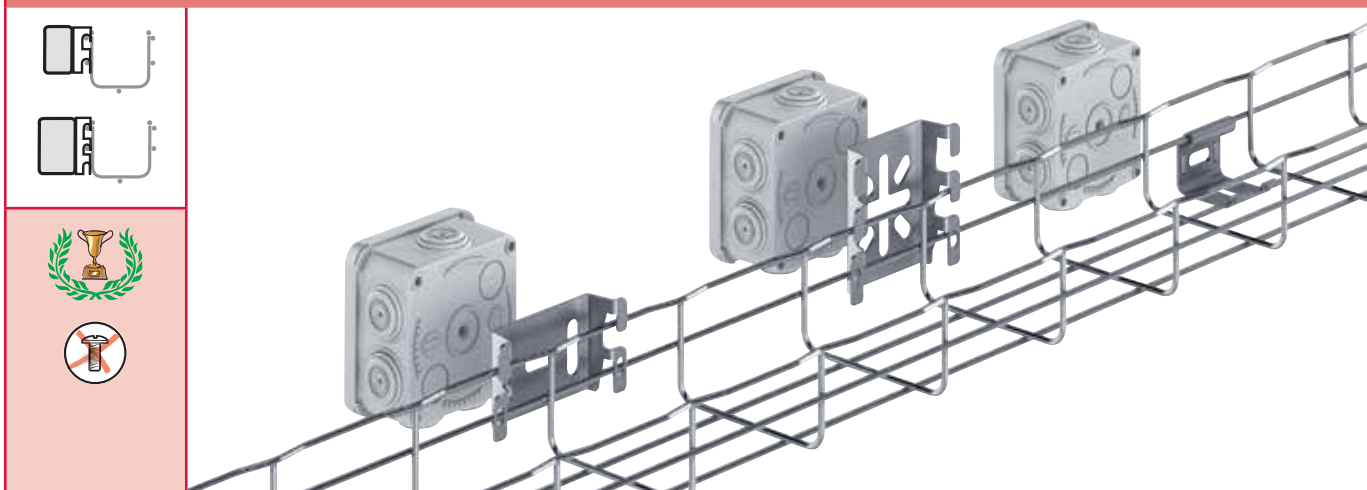
304L

586 048

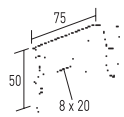
316L

586 044

CM 50 - CM50XL - CAT 40  **CF30 - CF54 - CF105**  **50 → 600 mm**



CM 50



(mm)

CM 50

GS

586 060

ZnMg

586 063

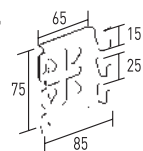
304L

586 068

316L

586 064

CM 50XL



(mm)

CM 50XL

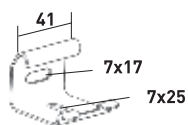
586 130

586 133

586 138

586 134

CAT 40



(mm)

CAT 40

586 190

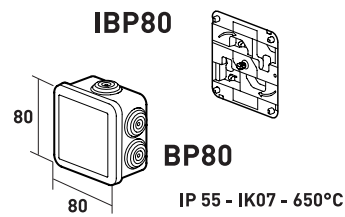
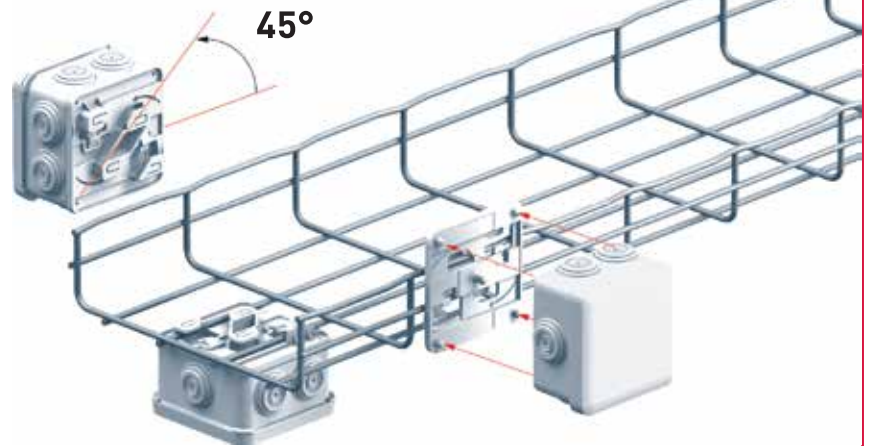
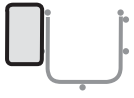
ZnNi

586 197

-

586 194

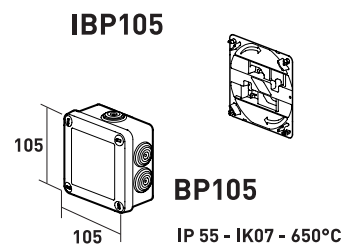
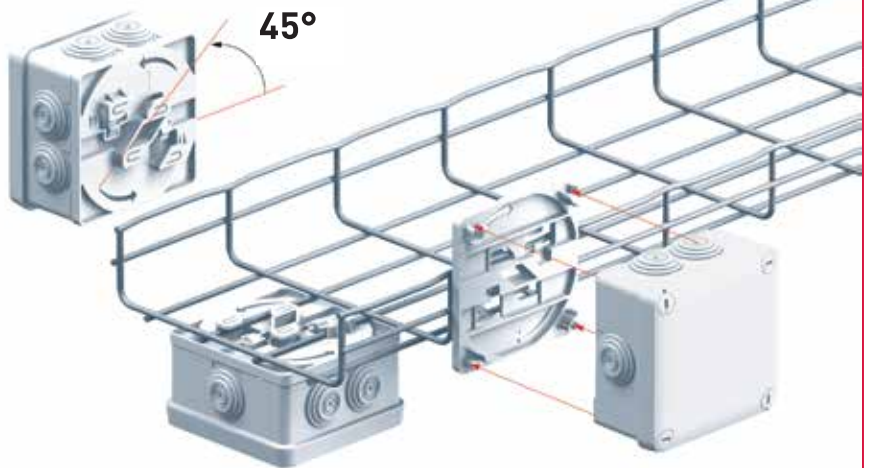
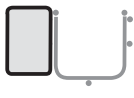
IBP 80 CF30 → CF150 50 → 600 mm



IBP80
BP80

PLAST.	ZnL	304L	316L
091 937	-	-	-
092 012	-	-	-

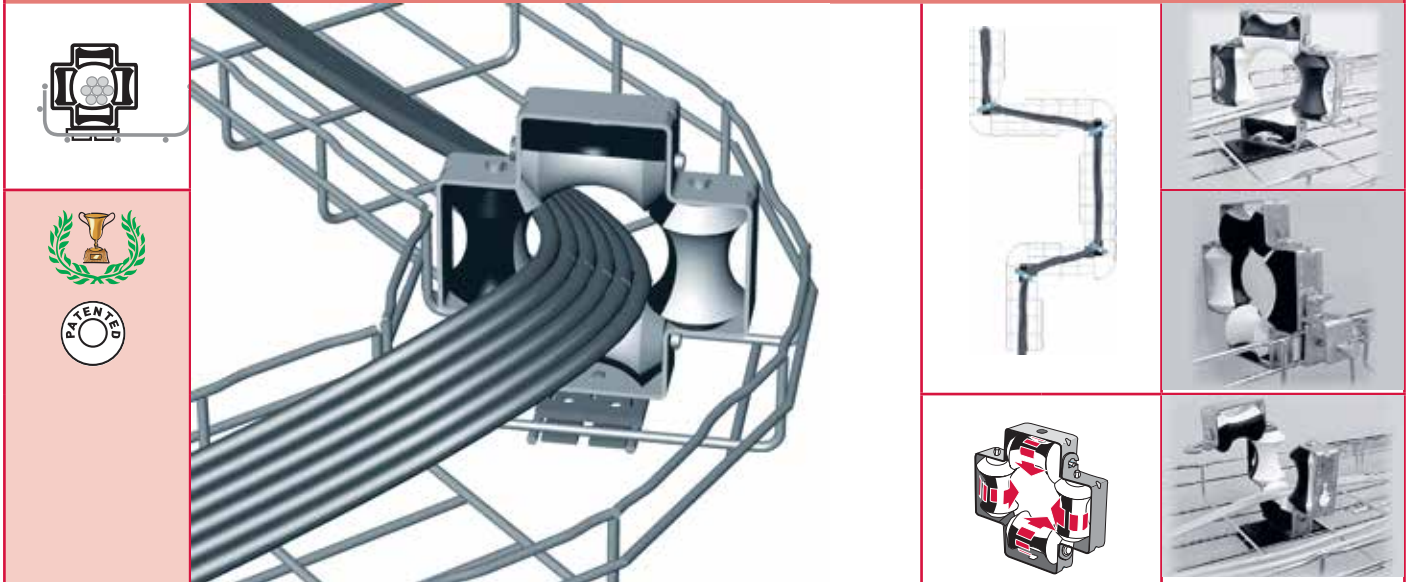
IBP 105 CF30 → CF150 50 → 600 mm



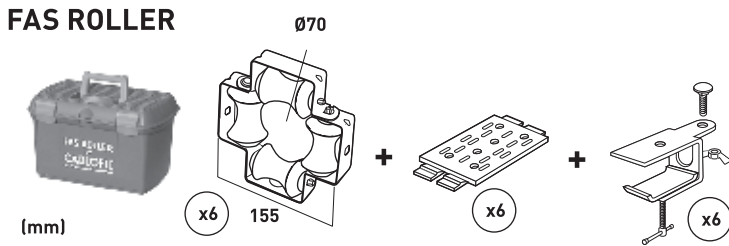
IBP105
BP105

PLAST.	GC	304L	316L
091 938	-	-	-
092 022	-	-	-

FAS ROLLER CF30 → CF150 50 → 600 mm

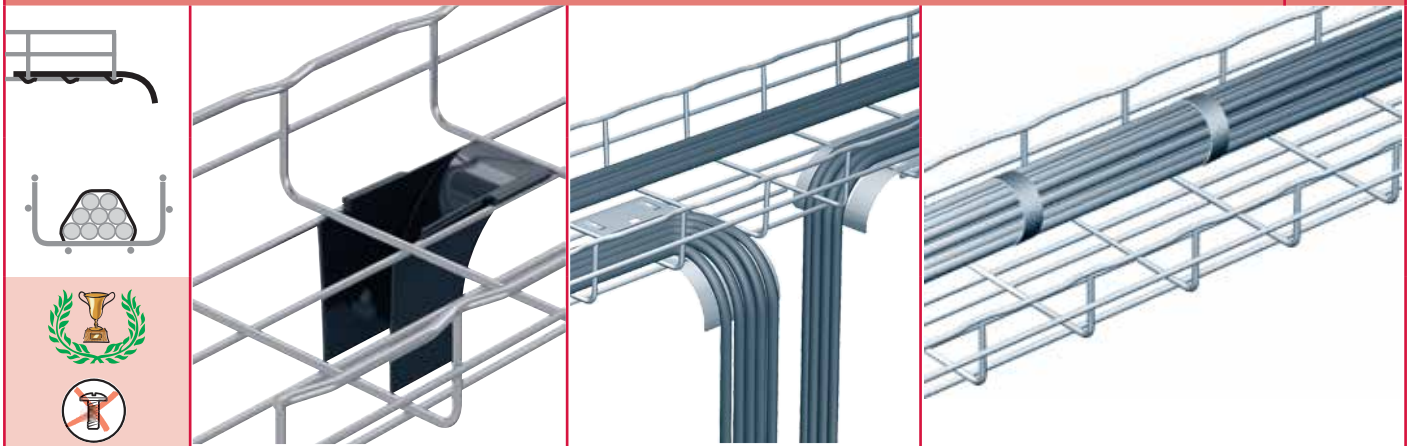


FAS ROLLER

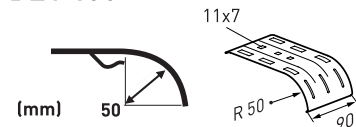


GS	GC	304L	316L
011 100	-	-	-

DEV 100 - DEV 50 - CABLOGRIP CF30 → CF150 100 → 600 mm



DEV 100



DEV 100

L
mm

GS

585 160

ZnMg

585 167

304L

-

316L

585 164

ABS

-

DEV 50



DEV 50

-

-

-

-

-

350 535

CABLOGRIP



CABLOGRIP

5000

559 677

-

-

-

-

FASTIE



FASTIE 15x180

FASTIE 15x225

FASTIE 15x320

-

809 109

-

-

-

-

-

809 119

-

-

-

-

-

809 129

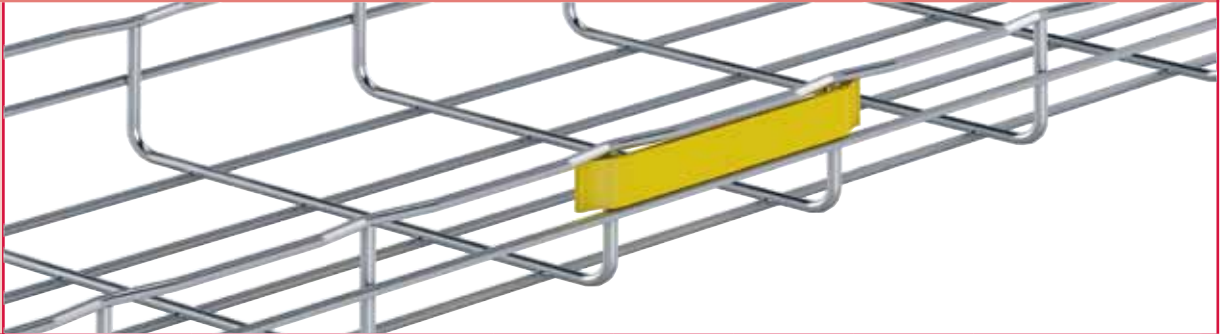
-

-

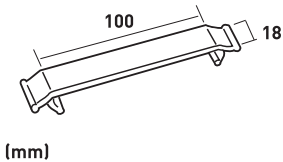
-

-

CLIP CF30 → CF150 50 → 600 mm



CLIP



CLIPJ
CLIPV
CLIPB
CLIPO
CLIPG
CLIPP



50
50
50
50
50
50



-
-
-
-
-
-



559 157
559 167
559 177
559 147
559 197
559 117



-
-
-
-
-
-

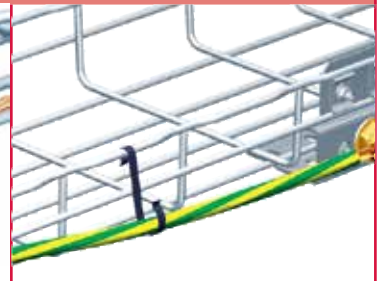
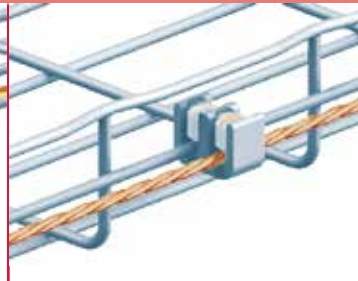


-
-
-
-
-
-

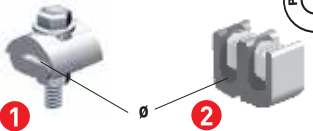


-
-
-
-
-
-

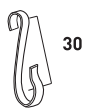
GRIFEQUIP CF30 - CF54 - CF105 50 → 600 mm



GRIFEQUIP



SCMT



① GRIFEQUIP
② GRIFEQUIP 2

mm²

6 x 35
6 x 35



585 327
585 427



-
-



-
-



-
-

SCMT

100



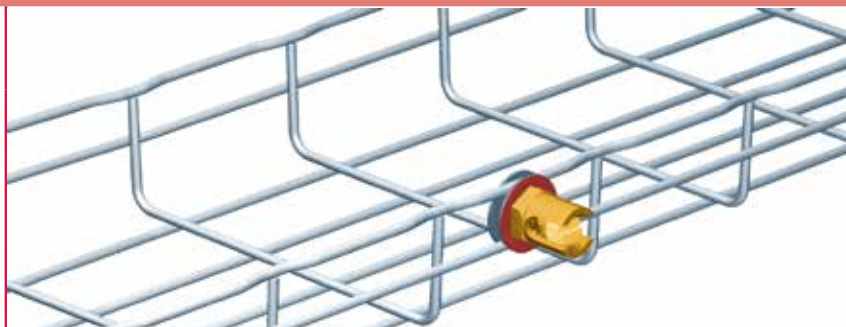
585 080

-

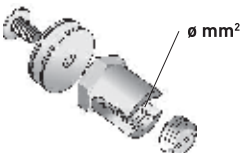
-

-

BLF CF30 → CF150 50 → 600 mm



BLF



BLF 6/16
BLF 6/35
BLF 6/50

∅ mm²

16
35
50



585 387
585 397
585 407



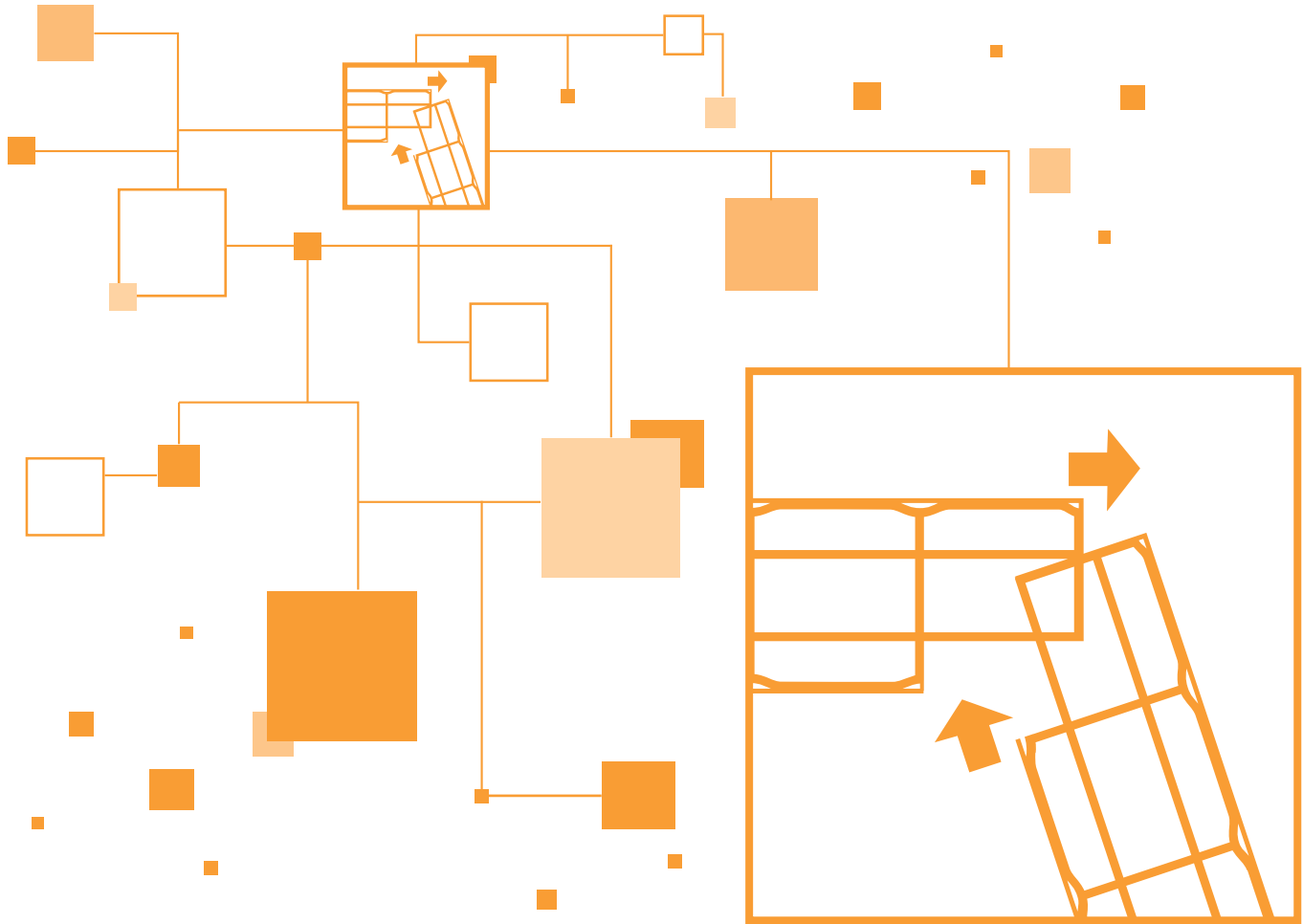
-
-
-



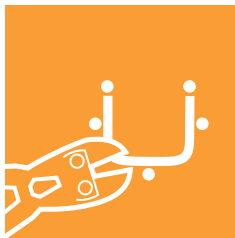
-
-
-



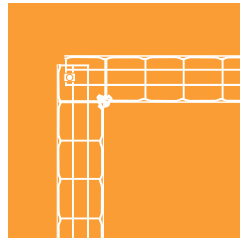
-
-
-



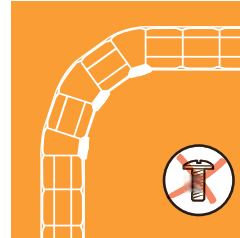
HOW TO CUT A CABLE TRAY



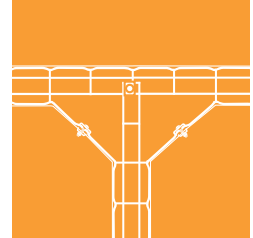
RIGHT ANGLE BENDS



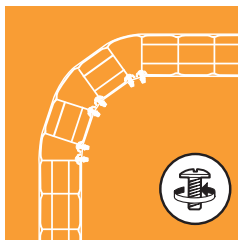
LARGE RADIUS BENDS



T OR CROSS WITH GUSSET



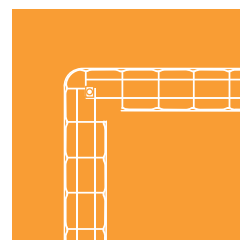
LARGE RADIUS BENDS



T OR CROSS AT RIGHT ANGLES




SMALL RADIUS BENDS

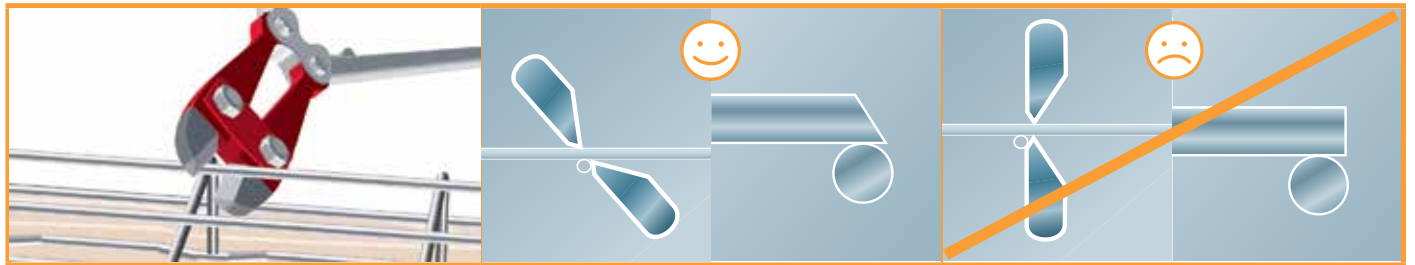
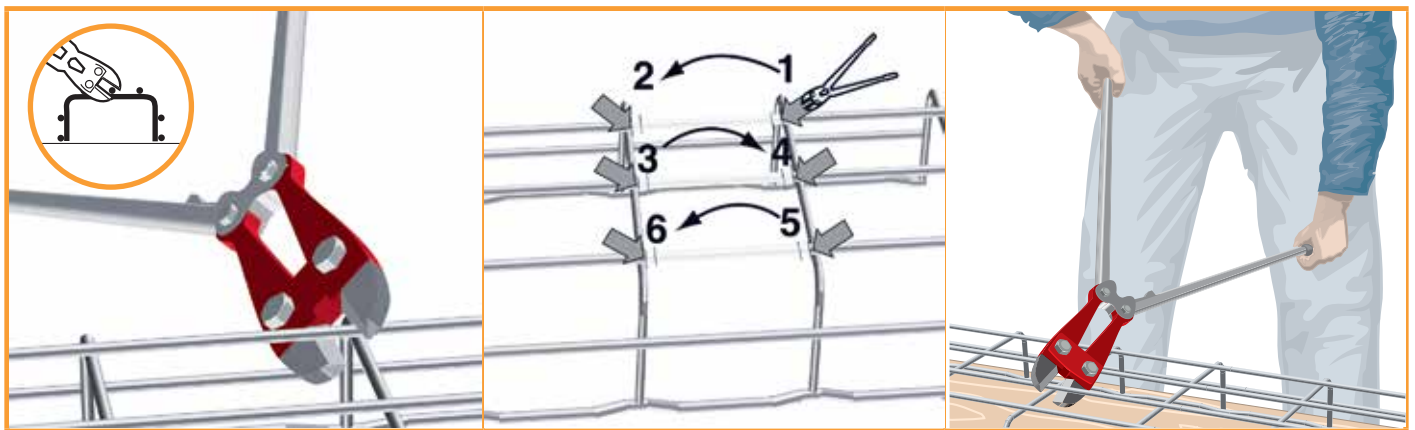


REDUCING SIZE, CHANGING LEVEL

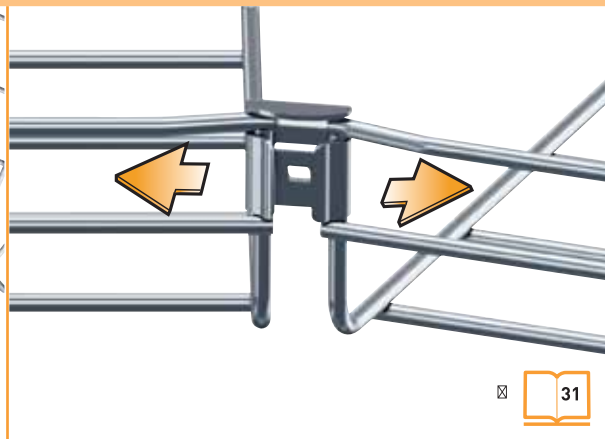




	mm	Kg/1	
COUPFILGM	630	2,7	559 507


FASLOCK 100 → 600 mm

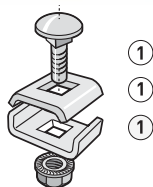


☒  31

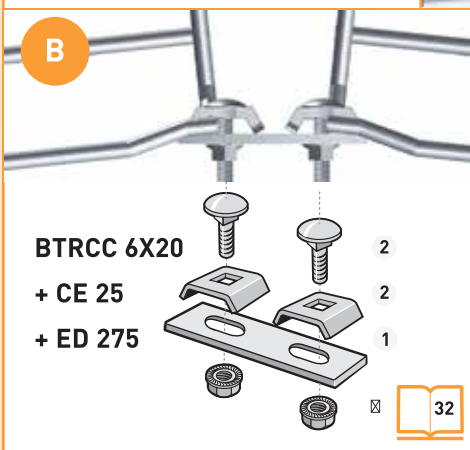
CE25 / CE30 50 → 600 mm



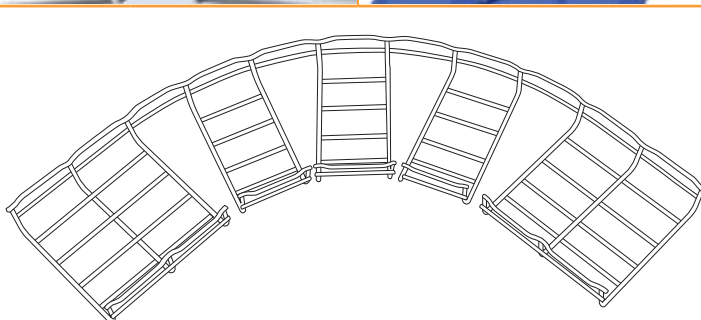
BTRCC 6X20
+ CE 25
+ CE 30



☒  108



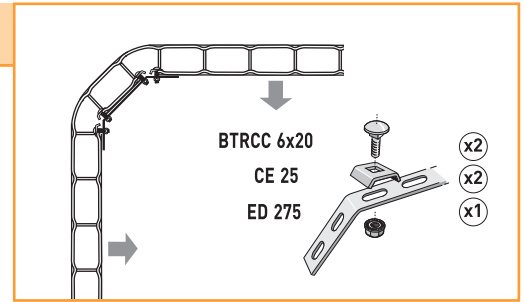
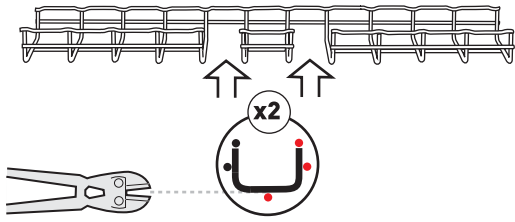
☒  32



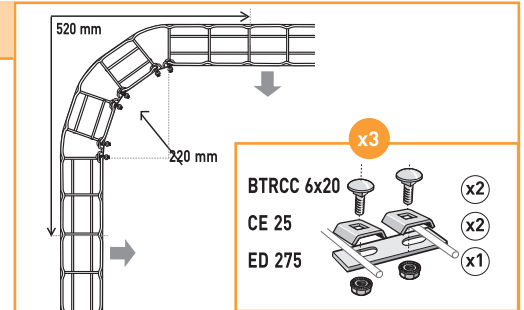
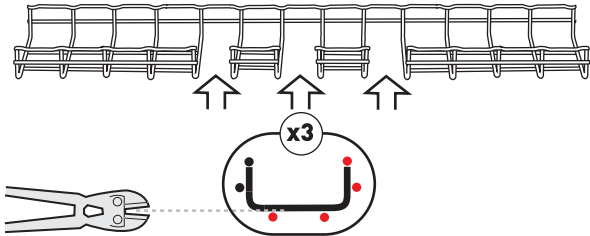
 94 ☒  95



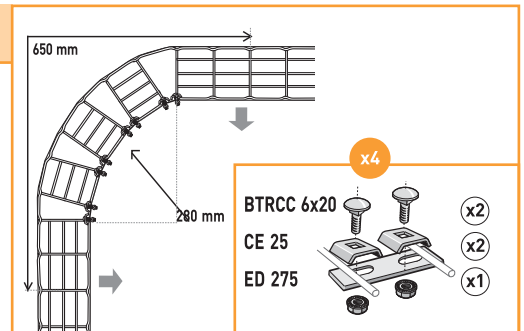
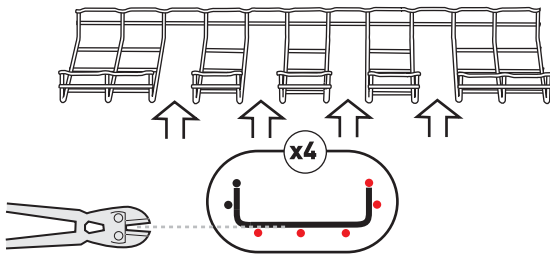
↔ 50 mm



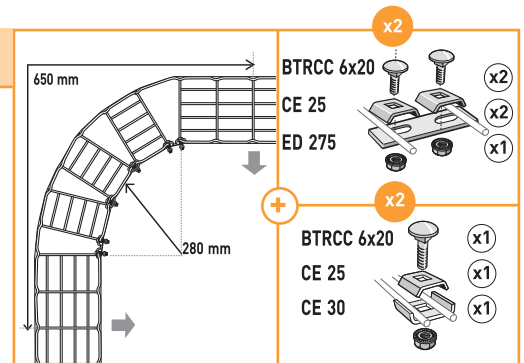
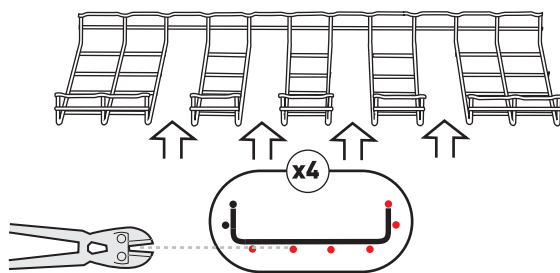
↔ 100 mm



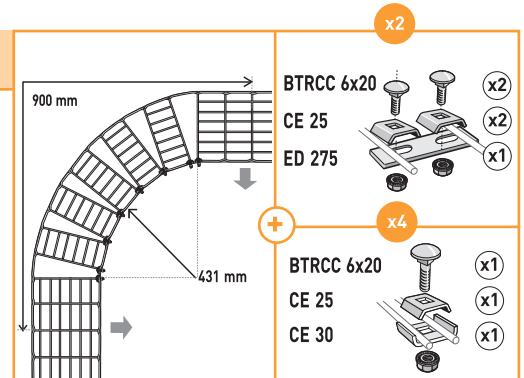
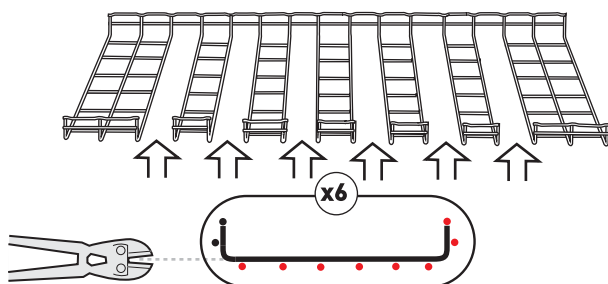
↔ 150 mm



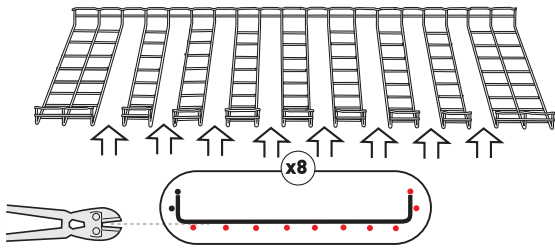
↔ 200 mm



↔ 300 mm



↔ 400 - 450 mm



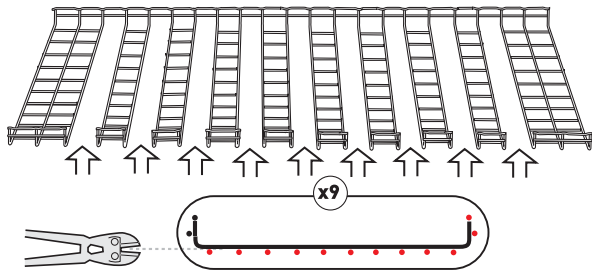
1060 mm

460 mm

x2 + x6

BTRCC 6x20	x2	BTRCC 6x20	x1
CE 25	x2	CE 25	x1
ED 275	x1	CE 30	x1

↔ 500 mm



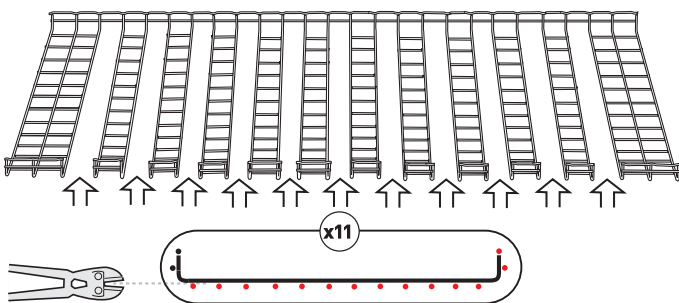
1305 mm

700 mm

x9

BTRCC 6x20	x1
CE 25	x1
CE 30	x1

↔ 600 mm



1535 mm

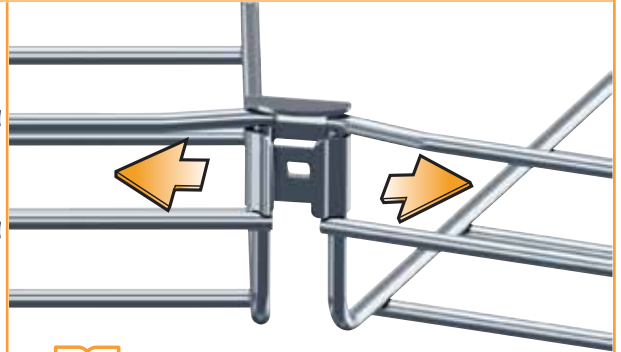
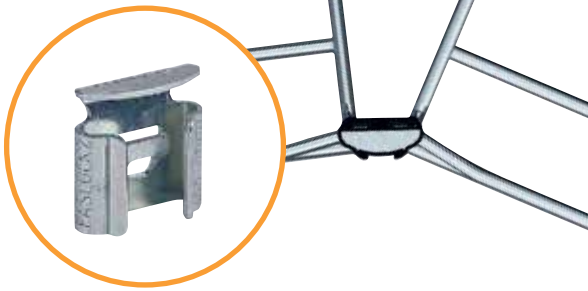
770 mm

x11

BTRCC 6x20	x1
CE 25	x1
CE 30	x1



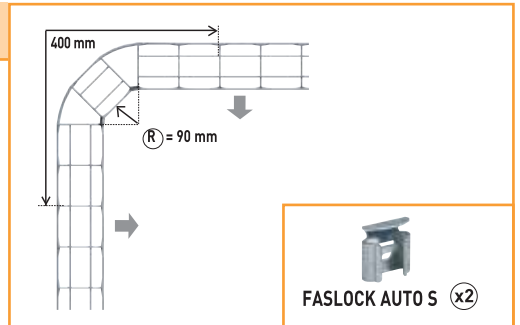
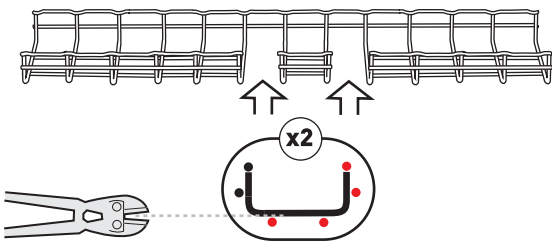
FASLOCK AUTO - CF30 - CF54 - CF105



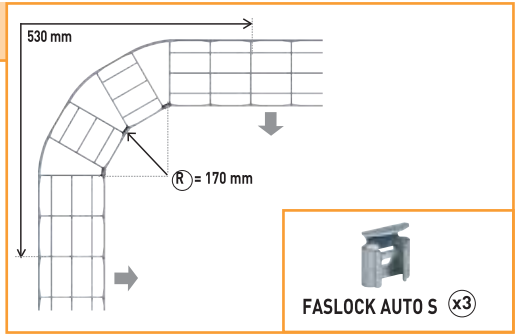
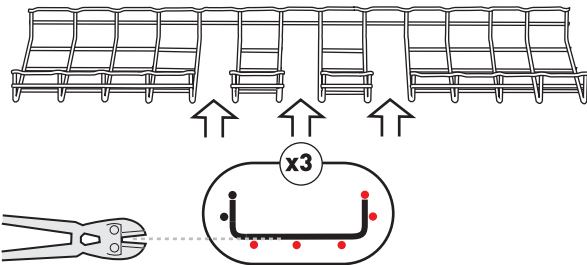
FASLOCK AUTO S = $\leftarrow \rightarrow$ 100 -> 200 mm
 FASLOCK AUTO XL = $\leftarrow \rightarrow$ 300 -> 600 mm



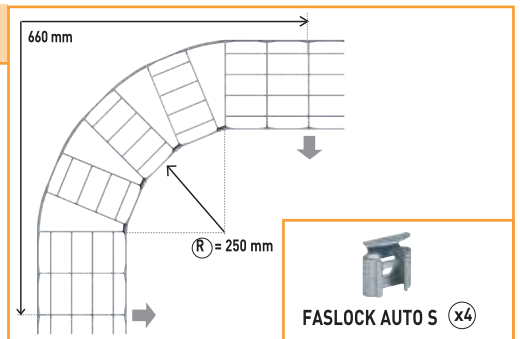
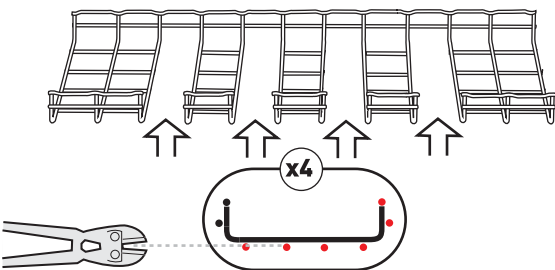
$\leftarrow \rightarrow$ 100 mm



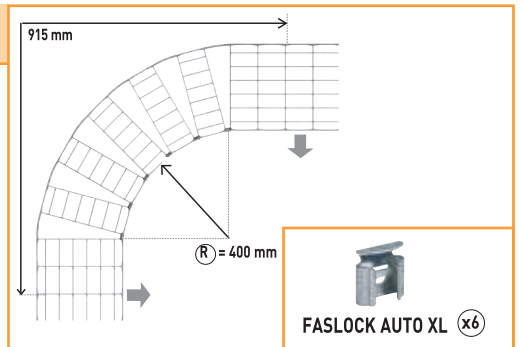
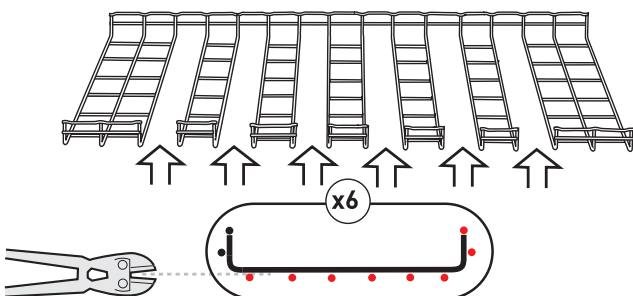
$\leftarrow \rightarrow$ 150 mm



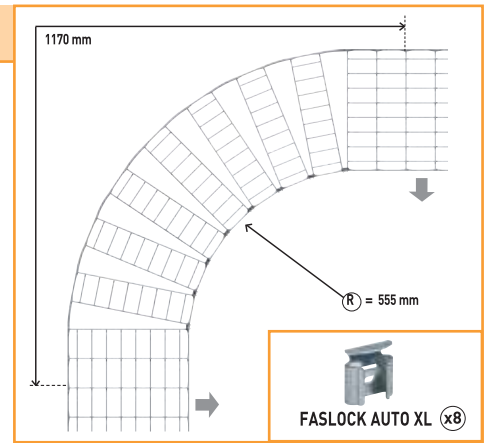
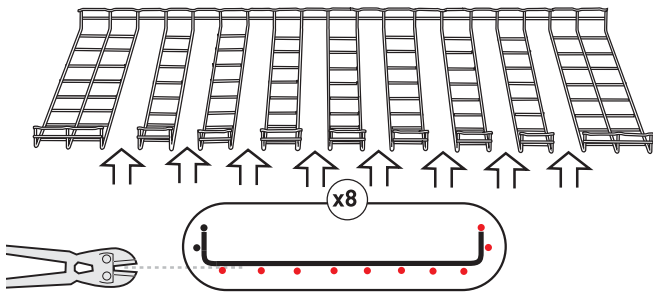
$\leftarrow \rightarrow$ 200 mm



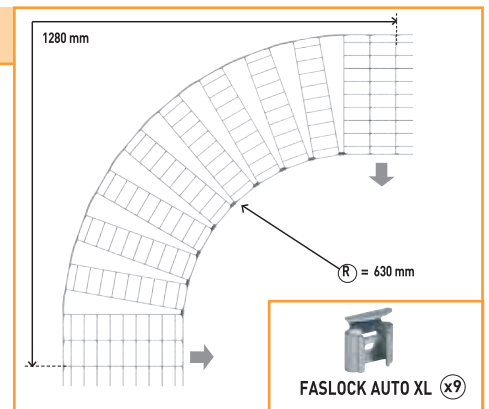
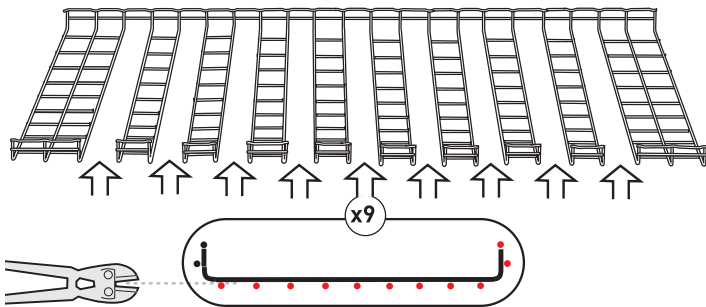
$\leftarrow \rightarrow$ 300 mm



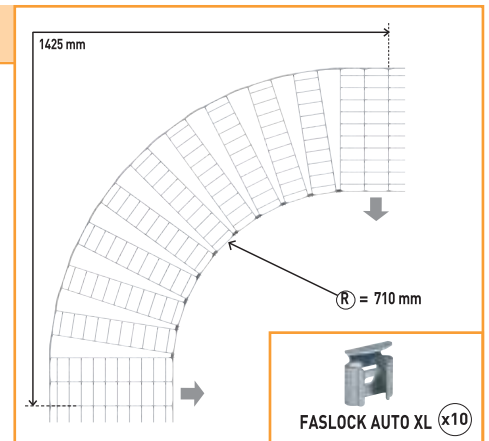
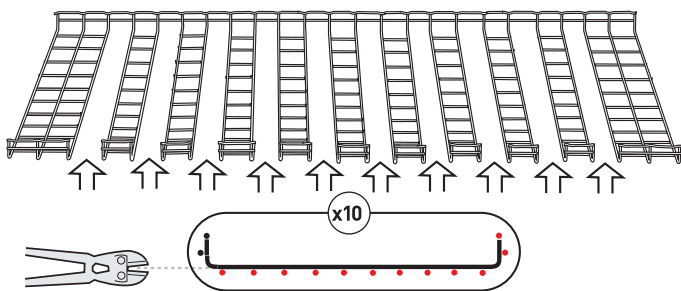
 400 mm




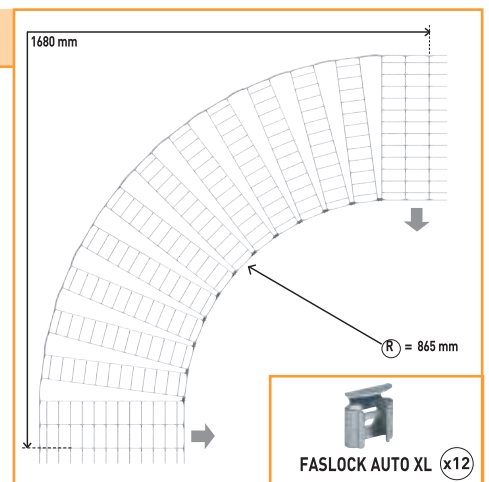
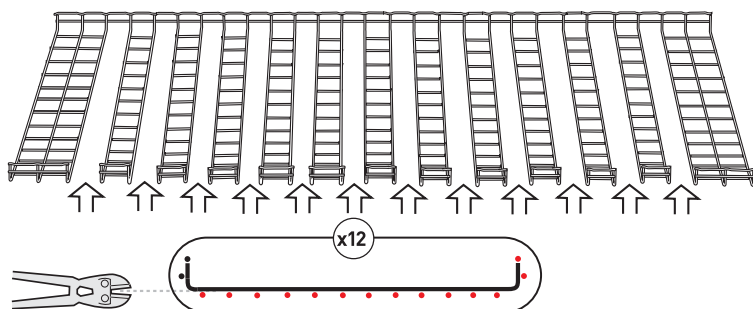
 450 mm



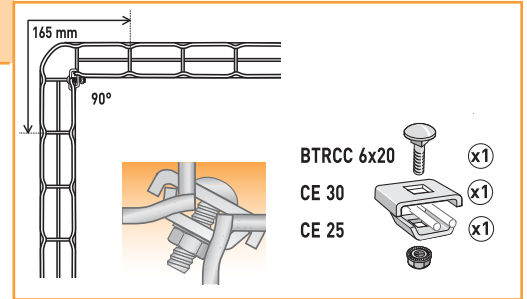
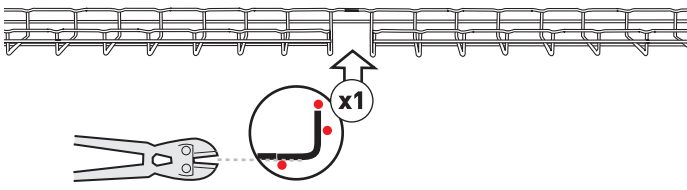
 500 mm



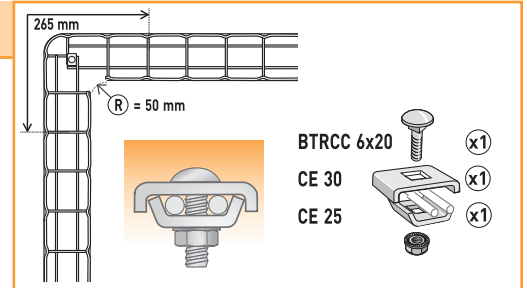
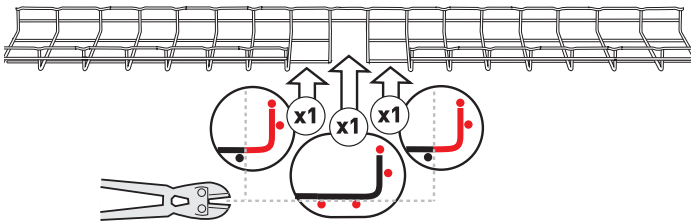
 600 mm



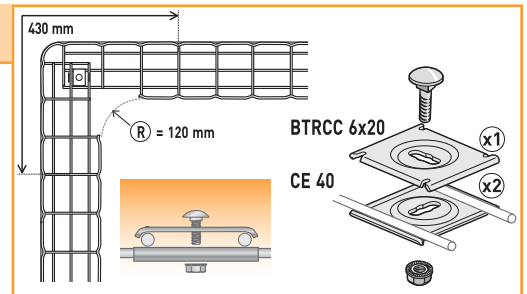
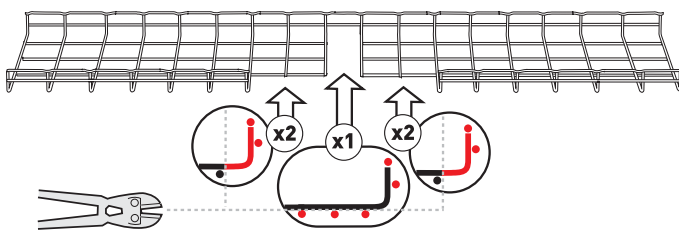
↔ 50 mm



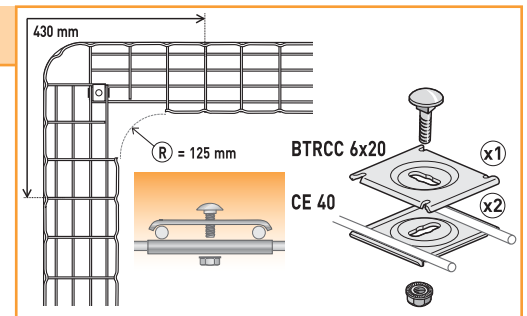
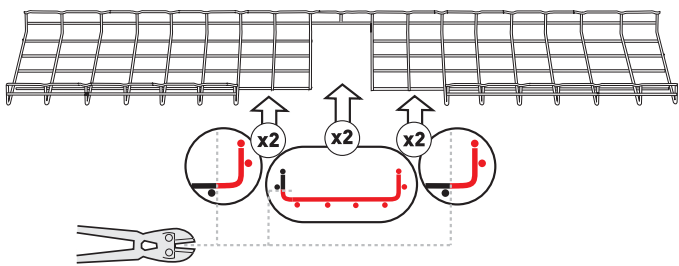
↔ 100 mm



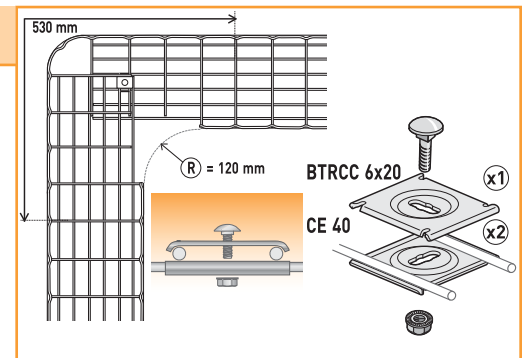
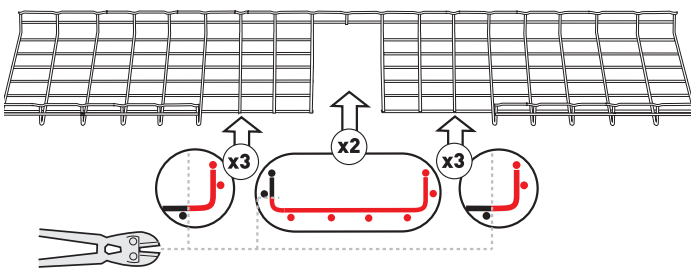
↔ 150 mm



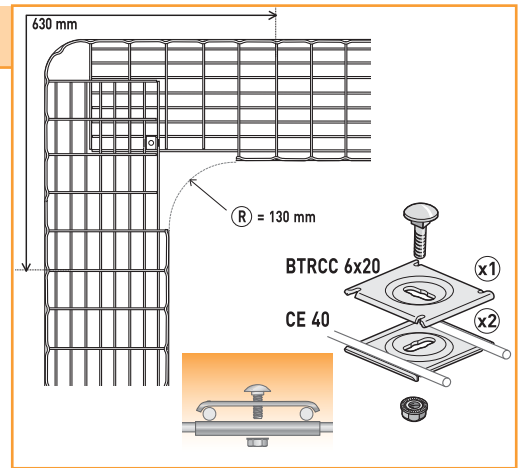
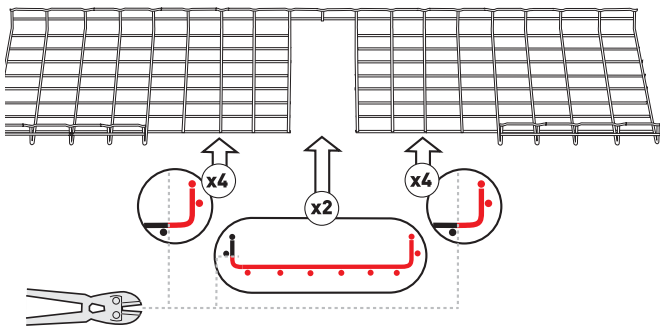
↔ 200 mm



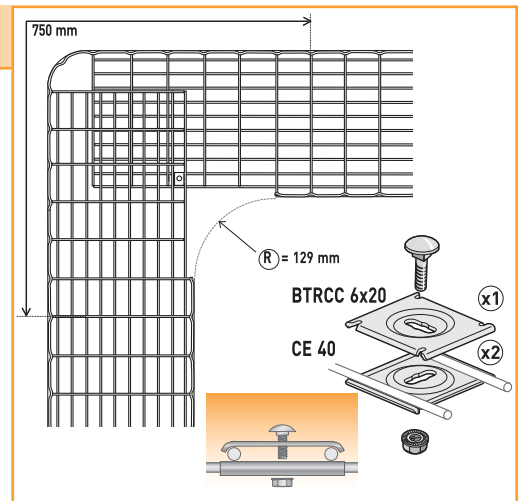
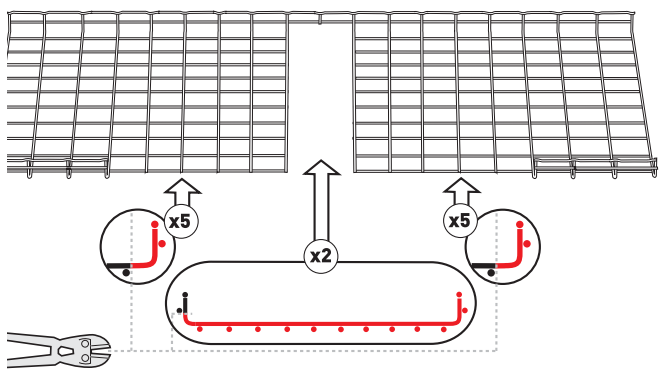
↔ 300 mm



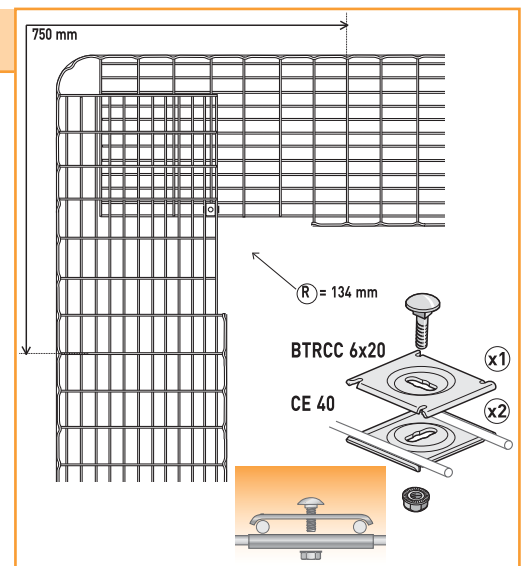
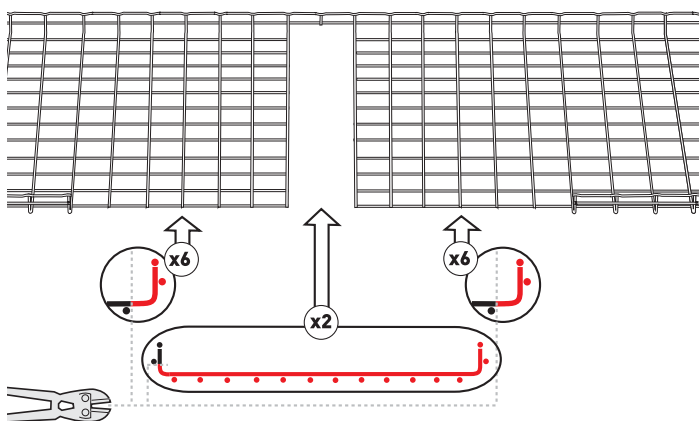
↔ 400 - 450 mm



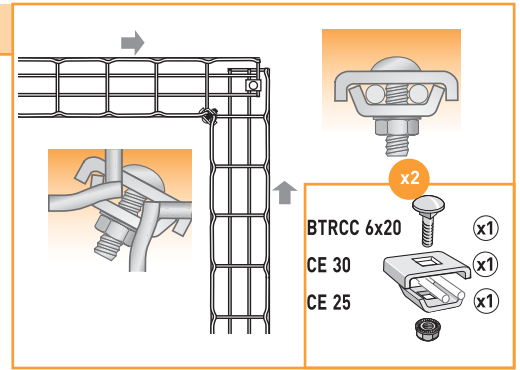
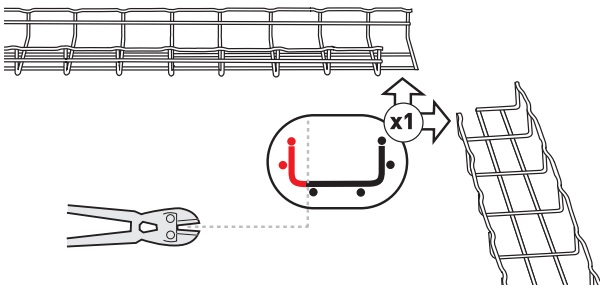
↔ 500 mm



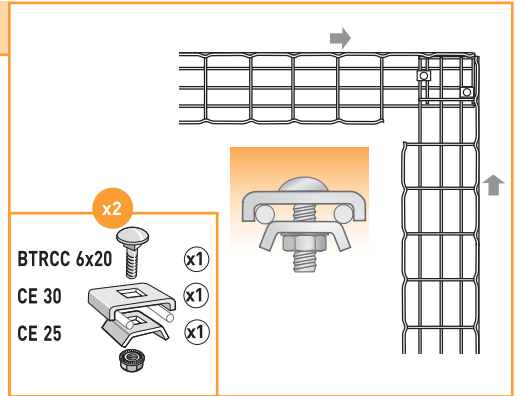
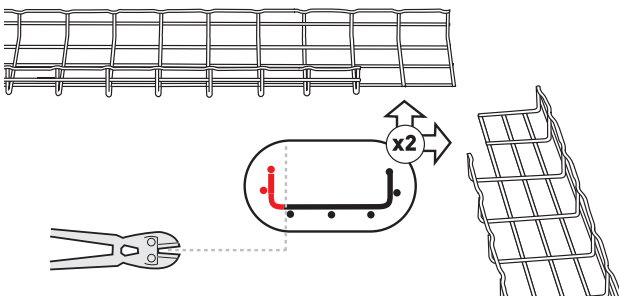
↔ 600 mm



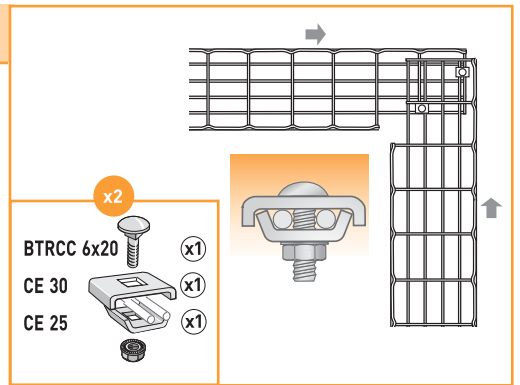
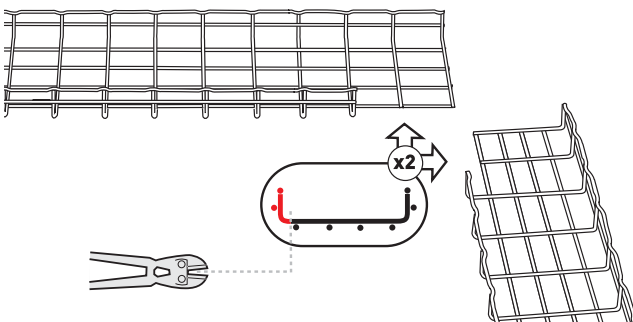
 100 mm




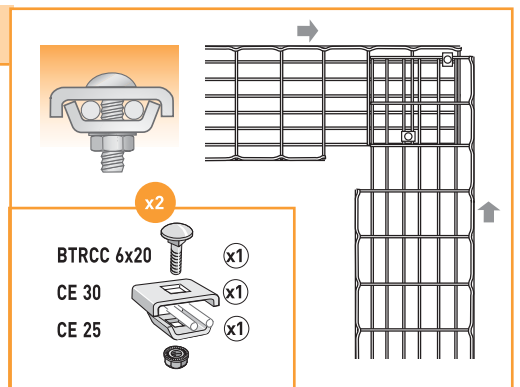
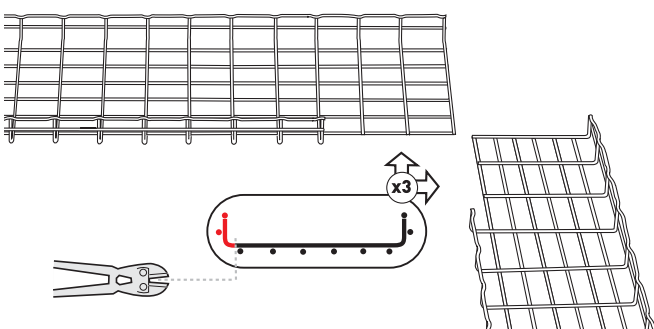
 150 mm



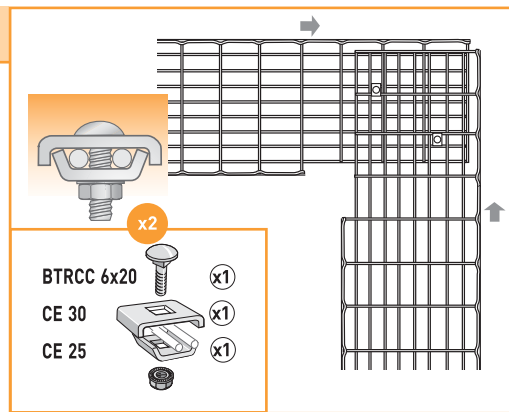
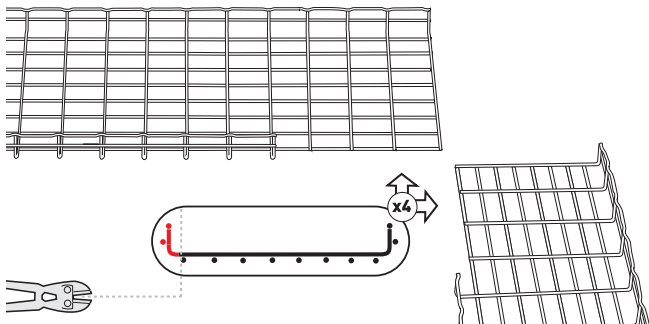
 200 mm



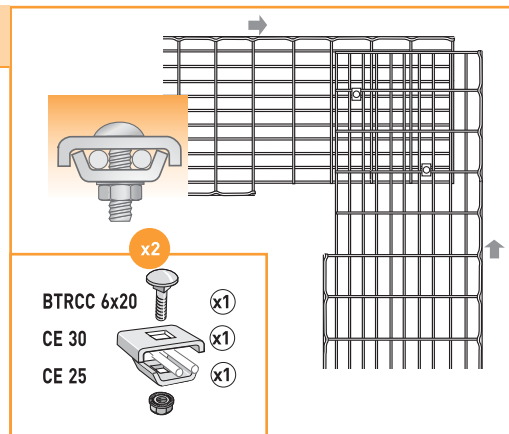
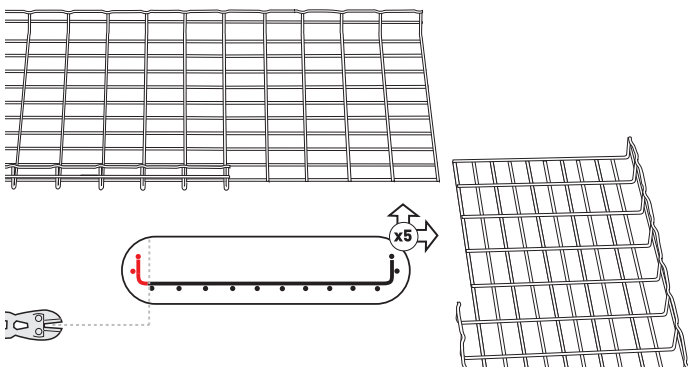
 300 mm



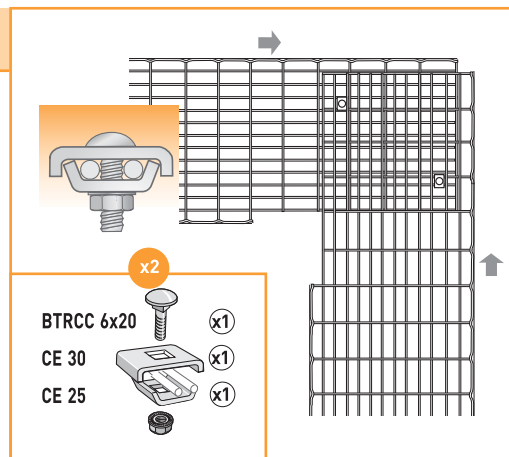
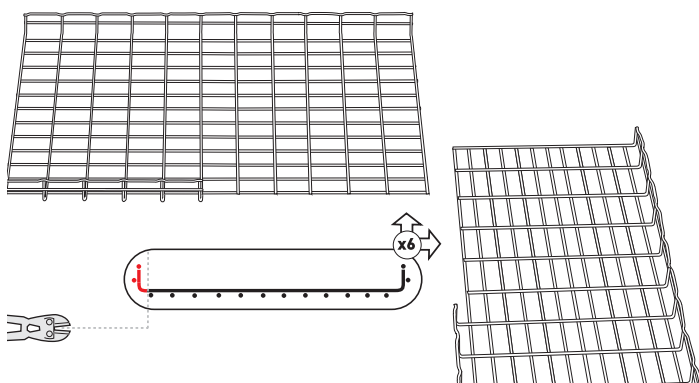
 400 mm



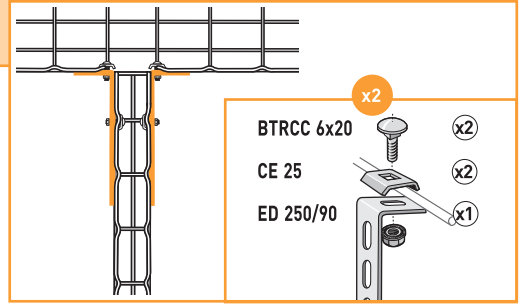
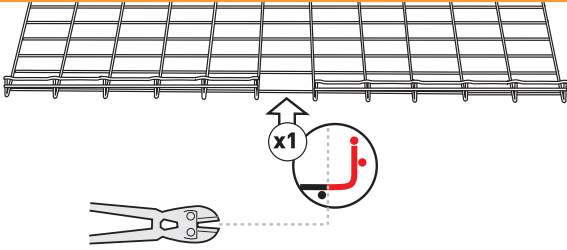
 500 mm



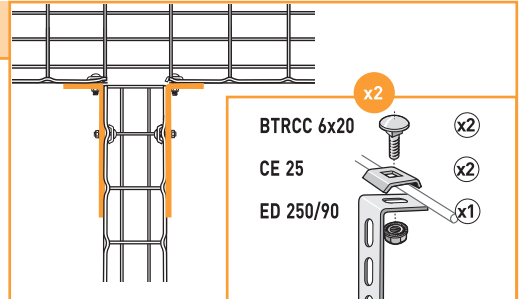
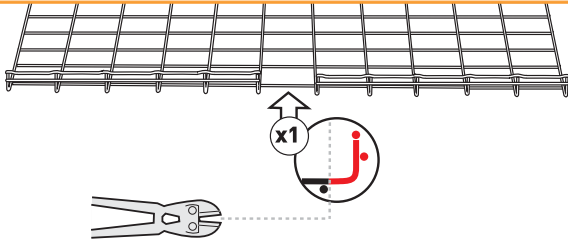
 600 mm



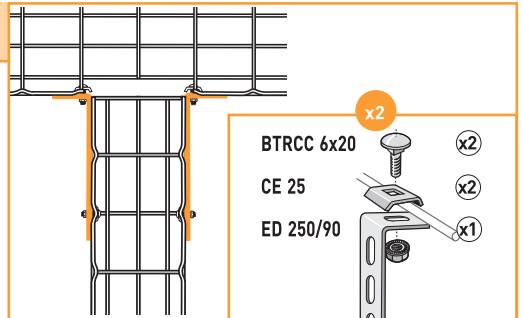
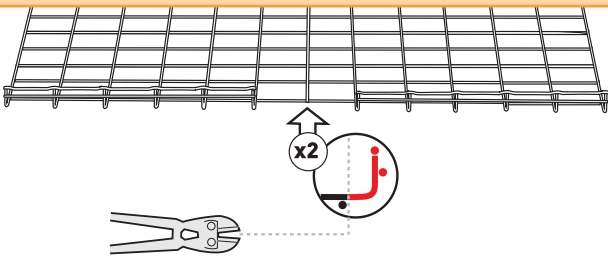
↔ 50 mm



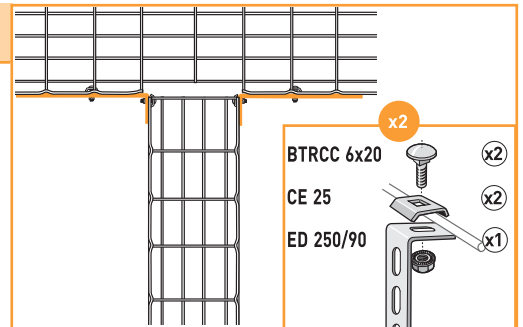
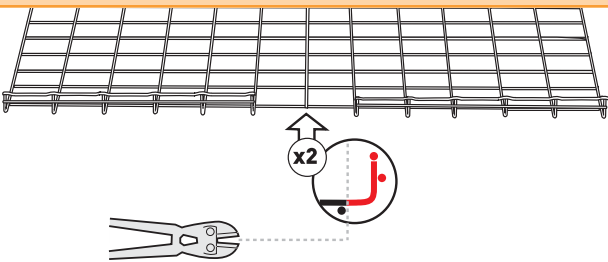
↔ 100 mm



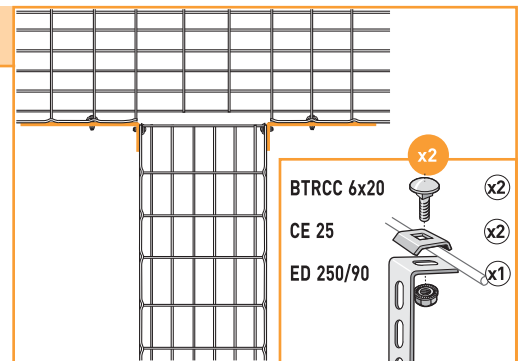
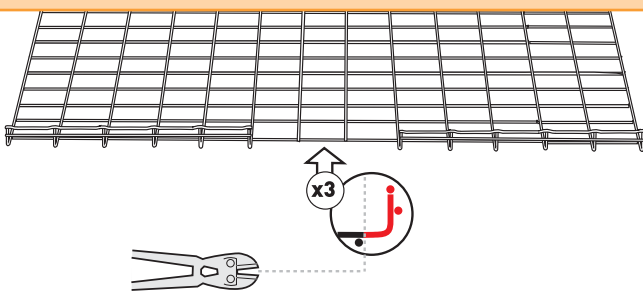
↔ 150 mm



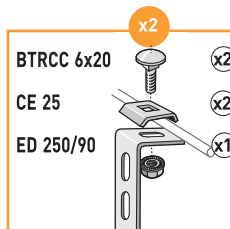
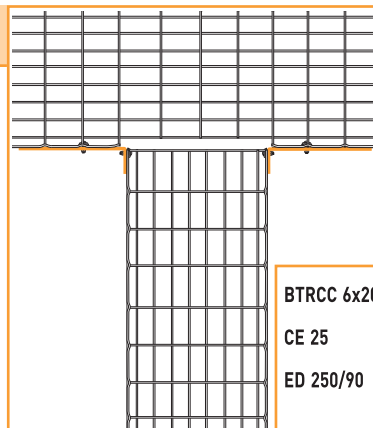
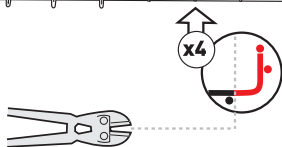
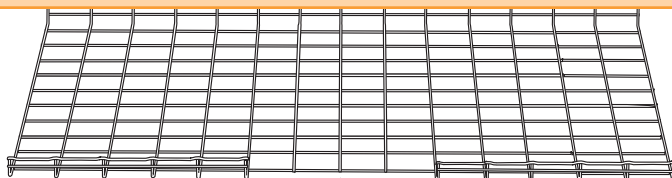
↔ 200 mm




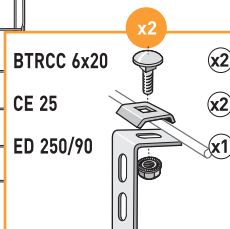
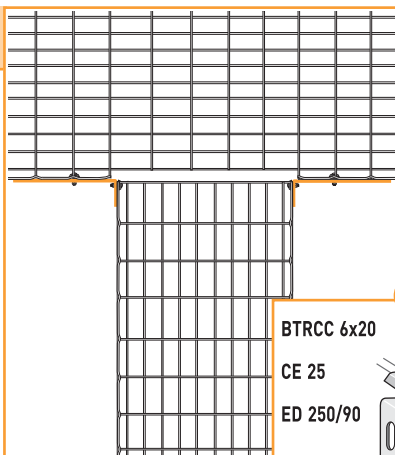
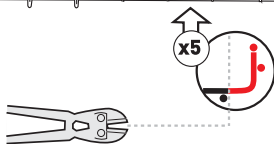
↔ 300 mm



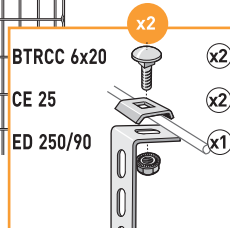
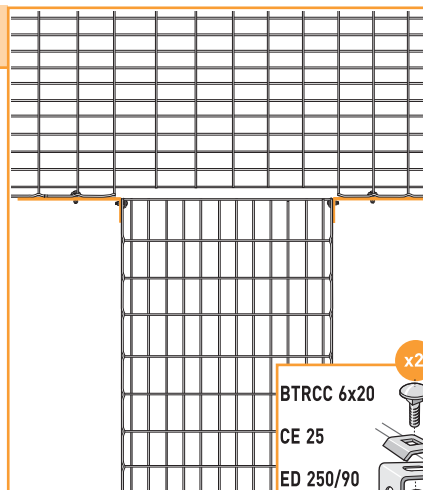
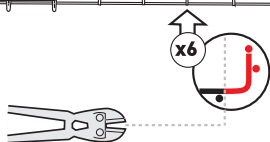
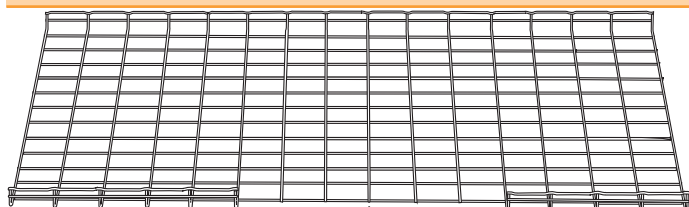
 400 mm



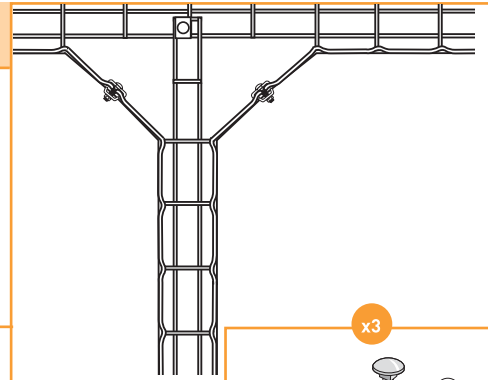
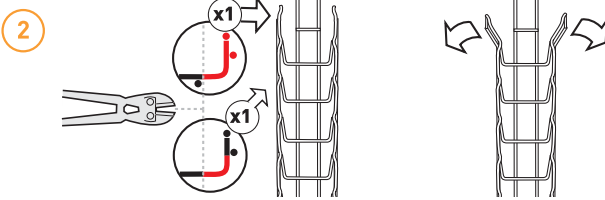
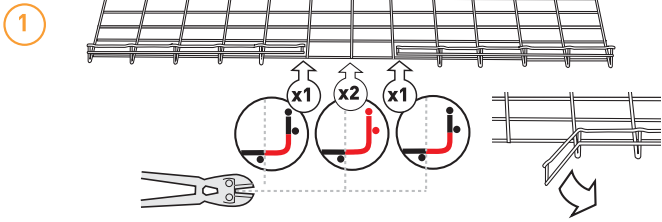
 450 - 500 mm



 600 mm

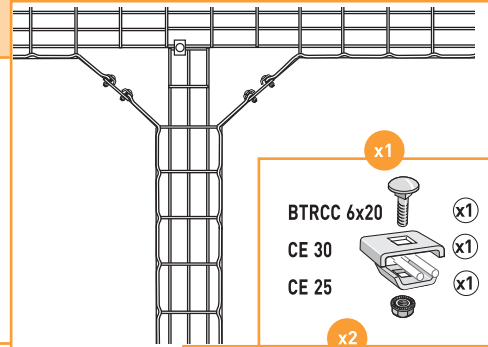
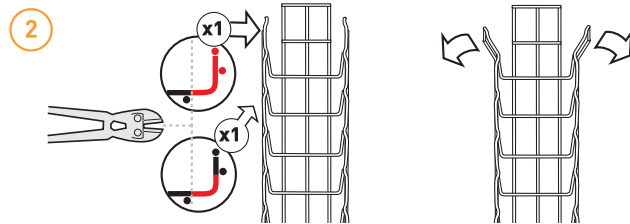
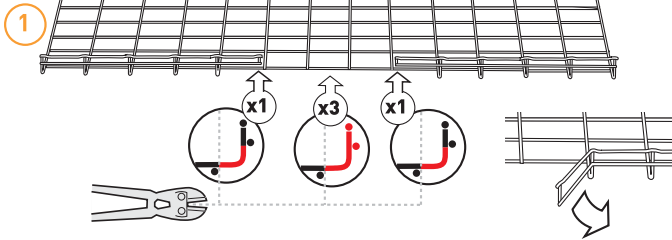


100 mm



- x3**
- BTRCC 6x20 (x1)
- CE 30 (x1)
- CE 25 (x1)

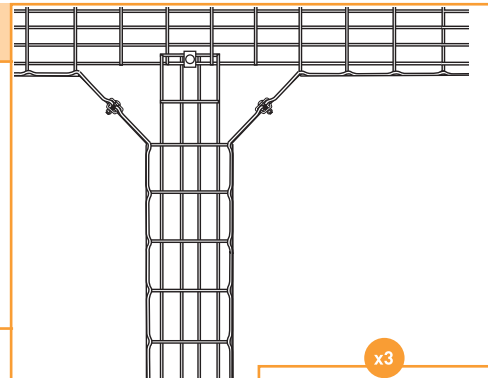
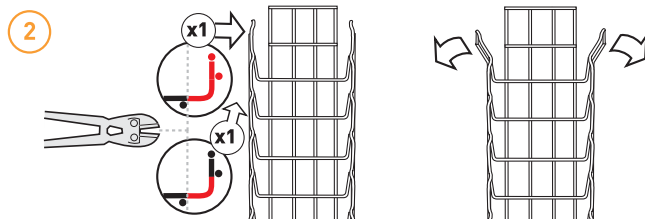
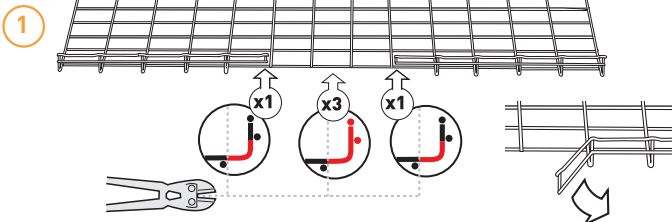
150 mm



- x1**
- BTRCC 6x20 (x1)
- CE 30 (x1)
- CE 25 (x1)

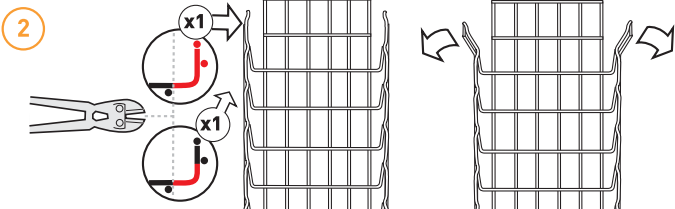
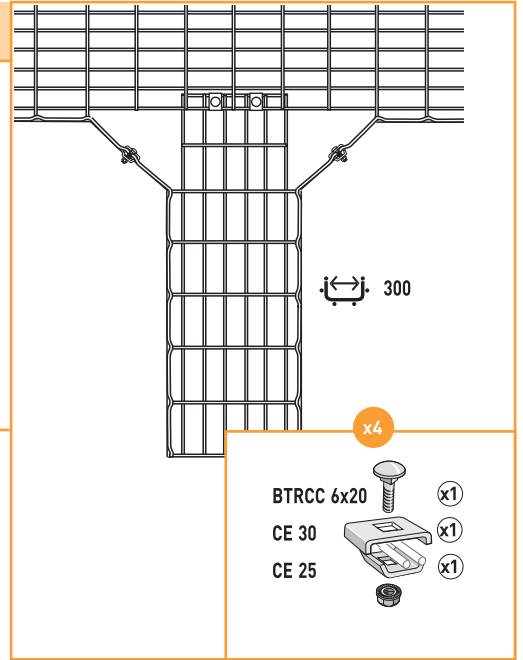
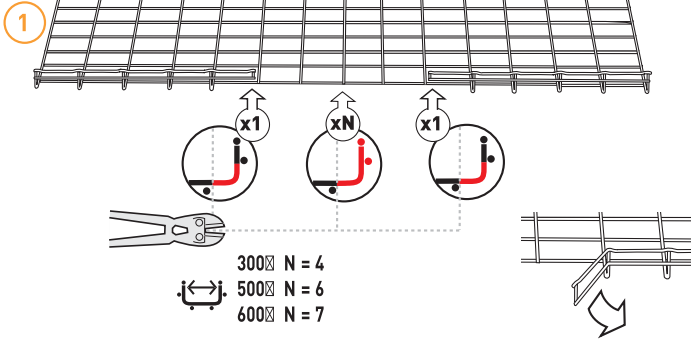
- x2**
- BTRCC 6x20 (x2)
- CE 25 (x2)
- ED 275 (x1)

200 mm

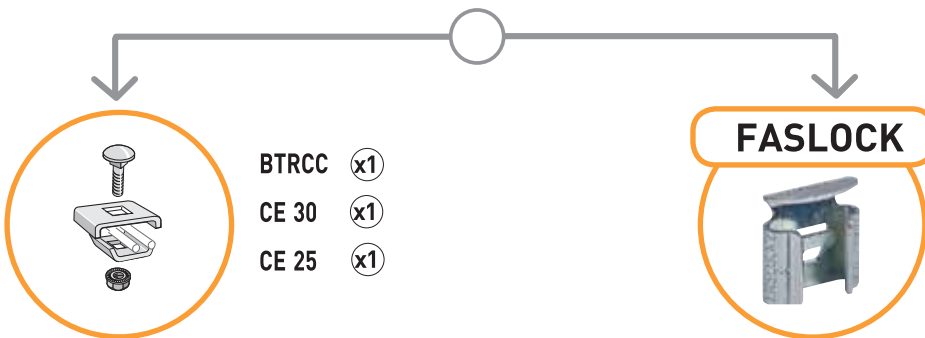
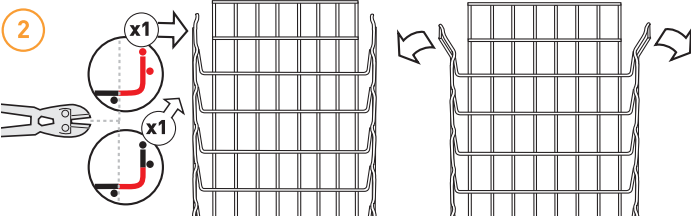
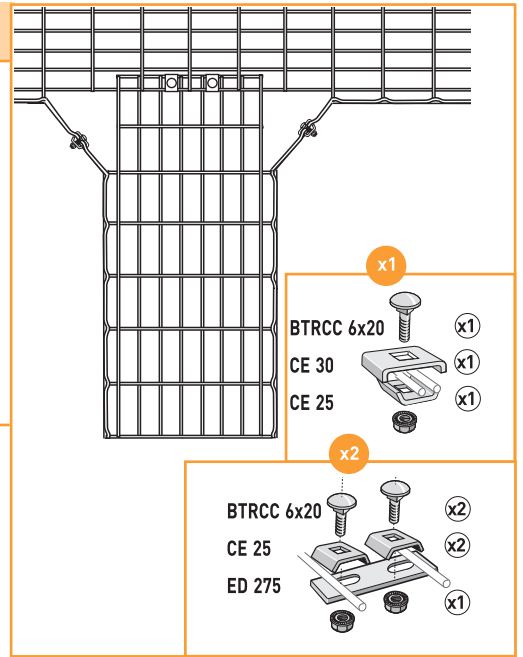
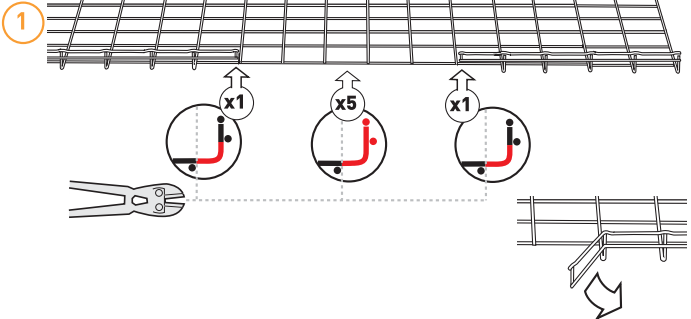


- x3**
- BTRCC 6x20 (x1)
- CE 30 (x1)
- CE 25 (x1)

300 - 500 - 600 mm



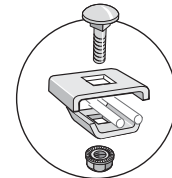
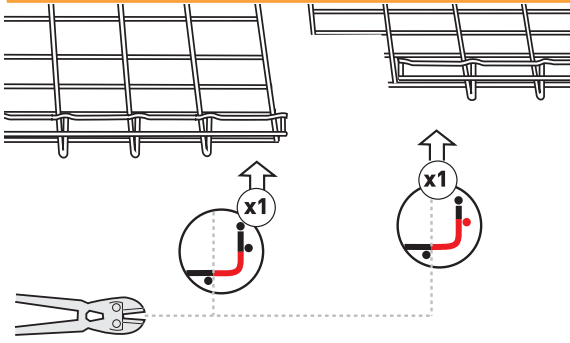
400 mm



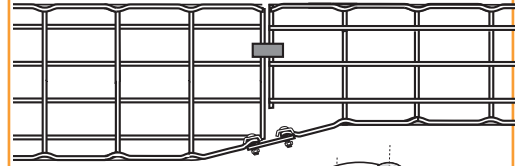
FASLOCK S = 100 -> 200 mm
FASLOCK XL = 300 -> 600 mm



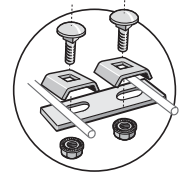
50 mm



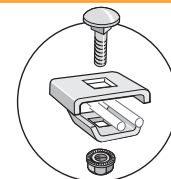
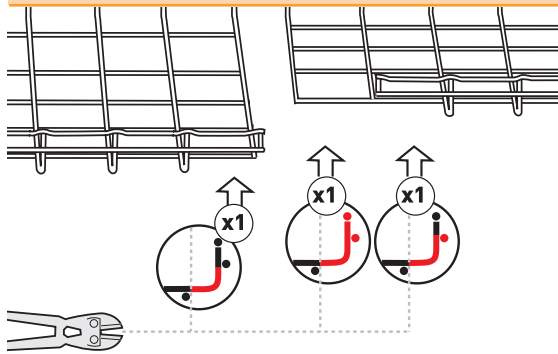
- BTRCC (x1)
- CE 30 (x1)
- CE 25 (x1)



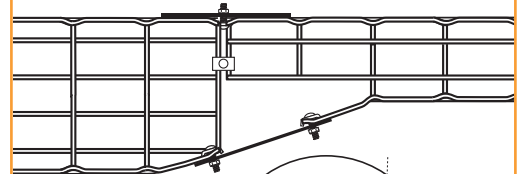
- BTRCC (x2)
- CE 25 (x2)
- ED 275 (x1)



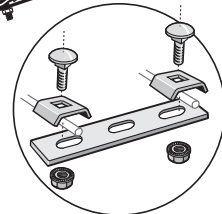
100 mm



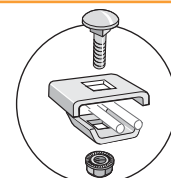
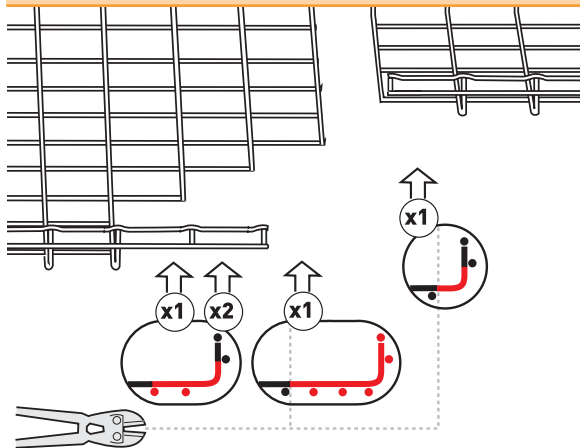
- BTRCC (x1)
- CE 30 (x1)
- CE 25 (x1)



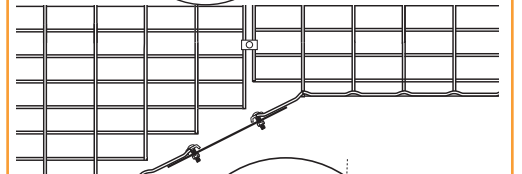
- BTRCC (x2)
- CE 25 (x2)
- ED 275 (x1)



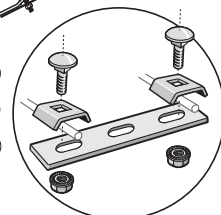
200 mm



- BTRCC (x1)
- CE 30 (x1)
- CE 25 (x1)



- BTRCC (x2)
- CE 25 (x2)
- ED 275 (x1)



THE LEGRAND GROUP WORLDWIDE



FIND OUT More: www.bticino.ph

ONE CORE BUSINESS

LEGRAND IS THE GLOBAL SPECIALIST
IN ELECTRICAL AND DIGITAL BUILDING
INFRASTRUCTURES

AN INTERNATIONAL PRESENCE

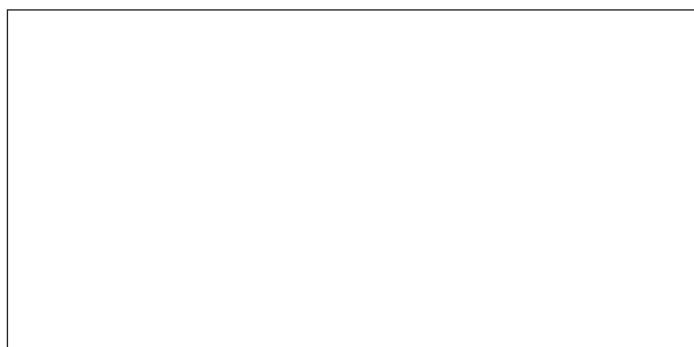
PRESENT IN MORE THAN 90 COUNTRIES
SALES IN CLOSE TO 180 COUNTRIES
NEARLY 38,000 EMPLOYEES

FLAGSHIP BRANDS ON A GLOBAL SCALE

CABLOFIL®


Pass & Seymour
Raritan.
STARLINE

AUTHORIZED DEALER:




The company reserves the right to modify
the content of the present booklet at any time.



BTicino Philippines Inc.

G/F All Seasons Bldg., 112 Aguirre St.
Legaspi Village, 1229 Makati City, Philippines


 (+632) 88928972

 btph.sales@bticino.com

 bticino.ph

FOLLOW US ON

 Bticino Philippines

 Bticino Philippines Inc

 [bticino_ph](https://www.instagram.com/bticino_ph)